

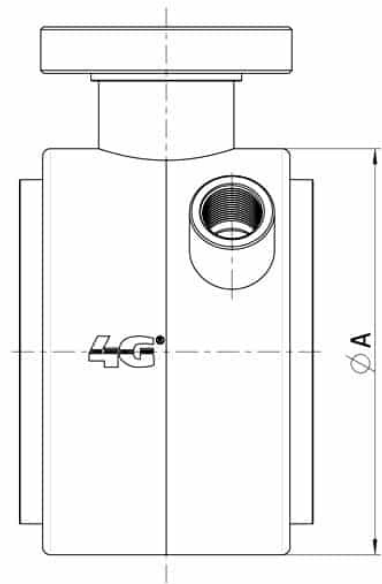
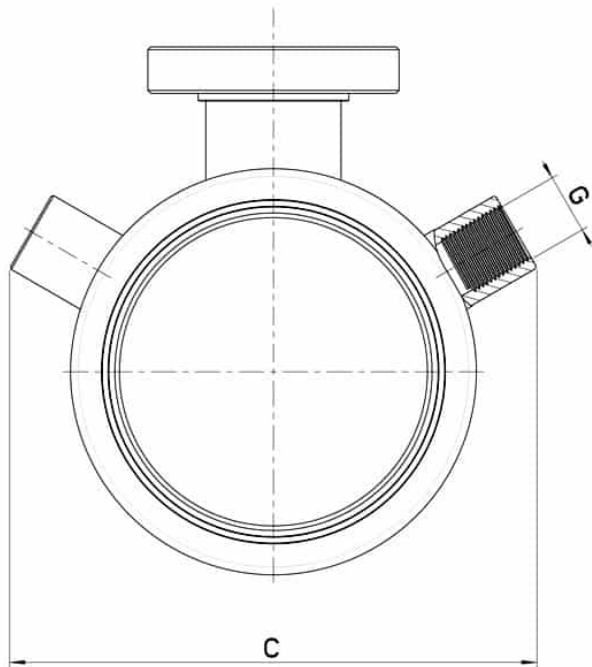
JACKET FOR 2 WAY BALL VALVE



Valve body with FIXED HEATING JACKET for TWO WAY ball valve Art. 10 with STANDARD SEALS and Art. 13 with INTEGRAL SEALS.

Material: Aisi 316L (1.4404), Heating Jacket Aisi 304L (1.4307)

Measure: from DN25 to DN100



DN	VALVES with Seals	Ø A	G	C
25	Standard	65	1/4"	97
25	Integral	70	1/4"	100
32	Standard	75	1/4"	105
32	Integral	80	1/4"	110
40	Standard	90	3/8"	124
40	Integral	95	3/8"	128
50	Standard	105	3/8"	137
50	Integral	110	3/8"	141
65	Standard - Integral	130	1/2"	162
80	Standard	150	1/2"	180
80	Integral	160	1/2"	188
100	Standard - Integral	185	1/2"	210

