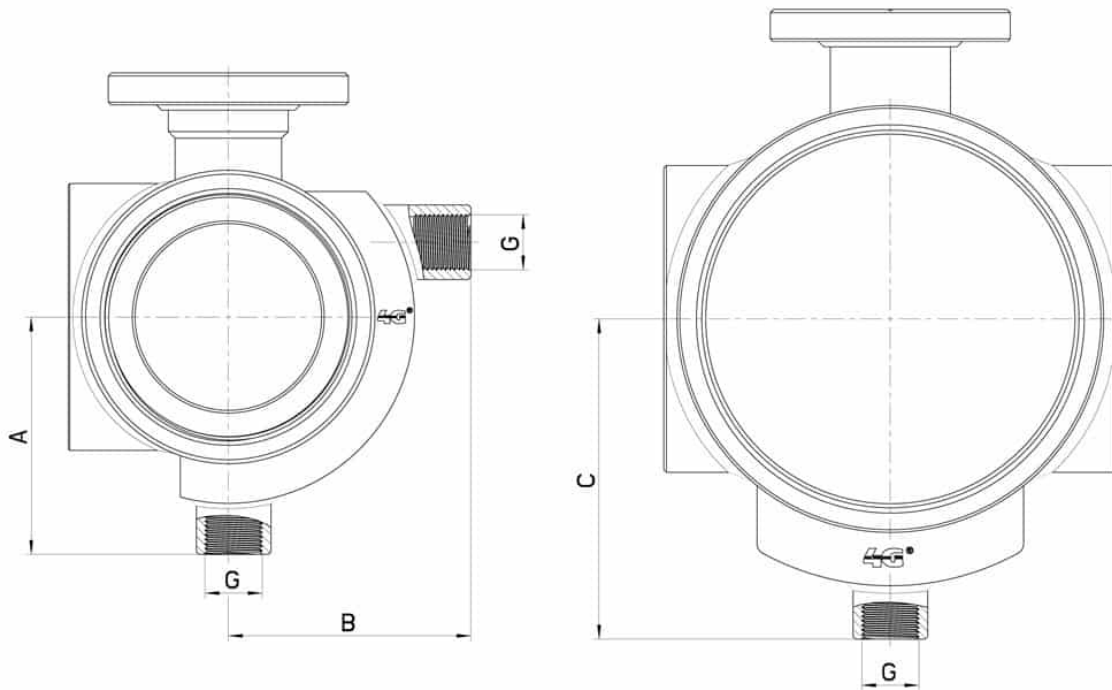


JACKET FOR 3 WAY BALL VALVE



Valve body with FIXED HEATING JACKET for THREE WAY ball valve Art. 30-31 with STANDARD SEALS.
Material: Body Aisi 316L (1.4404), Heating Jacket Aisi 304L (1.4307)
Measure: from DN15 to DN100



DN	G (ISO 228)	A	B	C
12	3/8"	50	46	
15	3/8"	52	56	
20	3/8"	58	63	
25	3/8"	57	64	
32	1/2"	75	80	
40	1/2"	82	84	
50	1/2"	89	91	
65	1/2"			99
80	1/2"			120
100	1/2"			135



