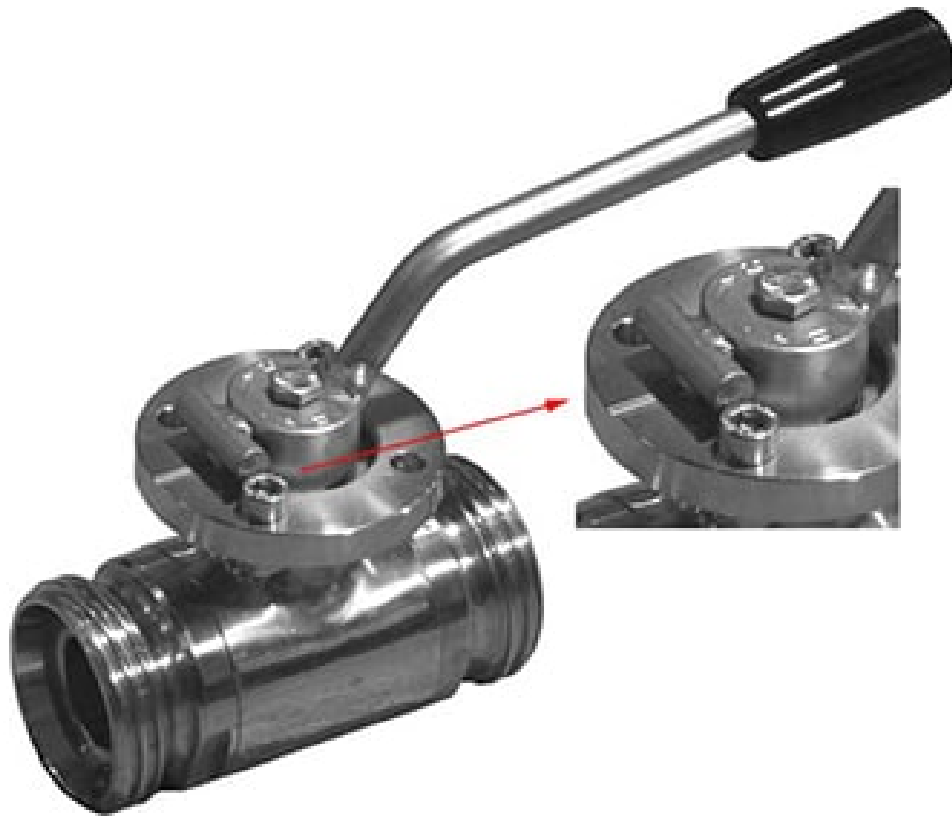


2 WAY VALVE FOR ACTUATOR + LEVER KIT WITH LOCKS



TWO-way ball valve

Drive: ISO 5211 flange for actuator + INOX LEVER with LOCKS

Connection: DIN 11851 female/female

Flow: Full

Material: Aisi 304L (1.4307) - Aisi 316L (1.4404)

Measure: from DN10 to DN100

