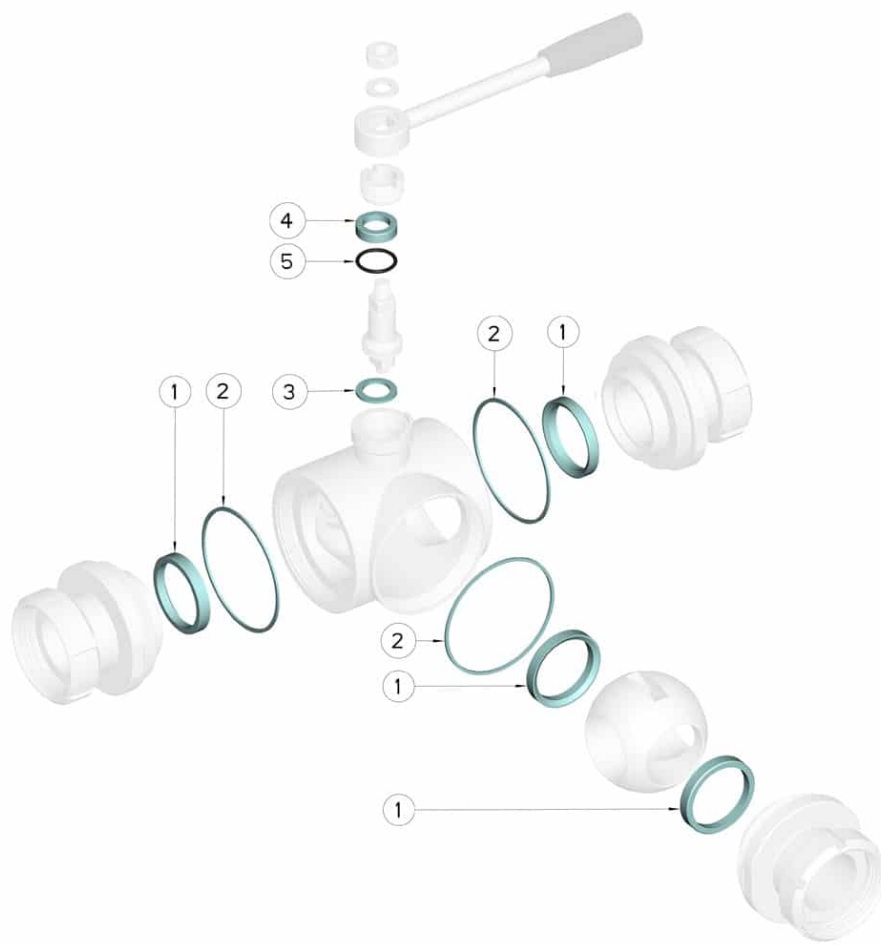


## 808030 SPARE SEALS KIT FOR BALL VALVE - STANDARD SEALS



Spare seals kit for ball valve

Fitting the following articles:

Art. 30 - 31



DN	CODICE PTFE	Kg
10-12	808030 00910	0,015
15	808030 01410	0,018
20	808030 02010	0,024
25	808030 02610	0,039
32	808030 03010	0,059
40	808030 03410	0,077
50	808030 03810	0,088
65	808030 04410	0,129
80	808030 04810	0,169
100	808030 05410	0,292
125	808030 05810	0,480

---

POS.	Denomination	PCS	MAT.
1	Ball Seals	4	PTFE
2	Sleeve Seal	3	PTFE
3	Inferior stem Seal	1	PTFE
4	Upper stem Seal	1	PTFE
5	Stem or-Seal	1	FKM

