

688006 SUPERIOR AND INFERIOR GAUGE COCK ISO 228 M



Upper and/or lower GAUGE-COCK

Drive: Handwheel

Connection: ISO 228 male thread

Material: Aisi 316L (1.4404)

Measure: from 3/8" to 1"

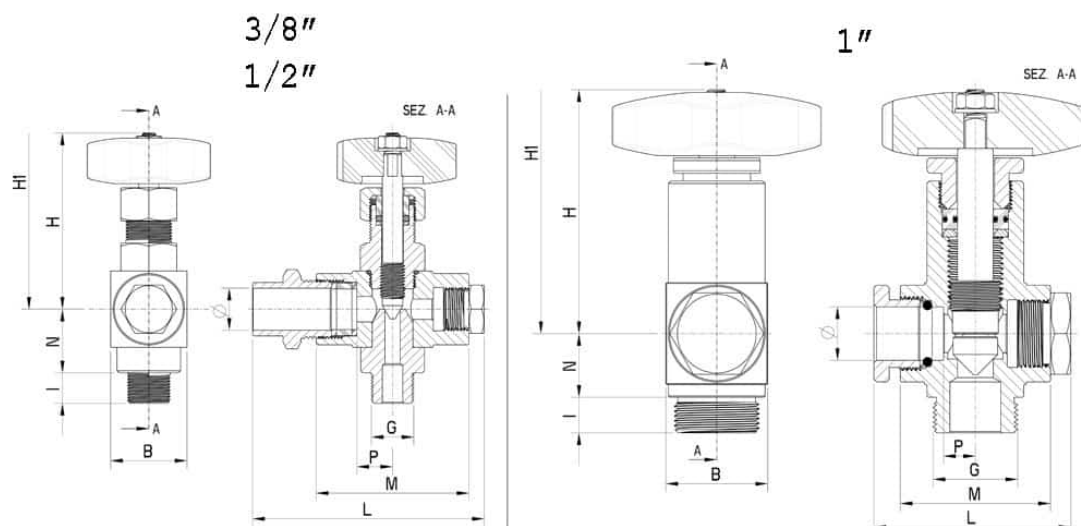
Operating temperature: -50°C+200°C

Outer finish: Polished

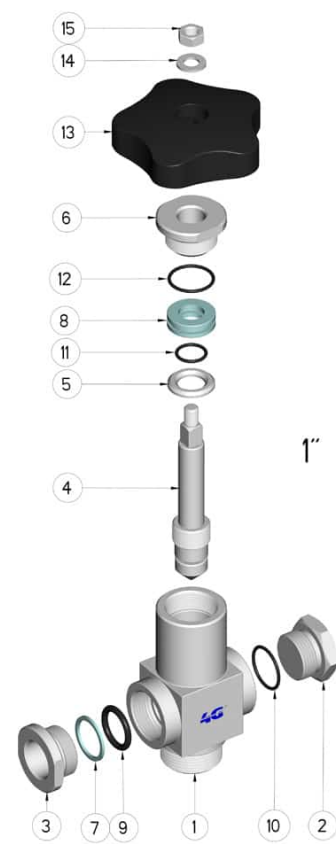
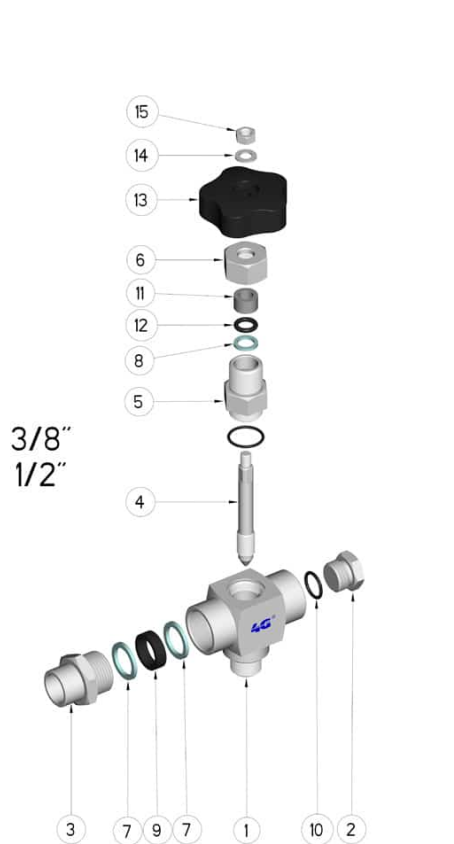
On request:

- Connection for glass pipe in other measure

M.O.C.A. CE 1935/2004



G	Ø	L	B	M	P	N	I	H	H 1	PN	Kg.	CODE AISI 316L
3/8"	12	85	30	56	14	25	12	72	80	16	0,50	688006 60600
3/8"	14	85	30	56	14	25	12	72	80	16	0,50	688006 60700
3/8"	16	85	30	56	14	25	12	72	80	16	0,50	688006 60800
1/2"	12	85	30	56	14	25	12	72	80	16	0,52	688006 61000
1/2"	14	85	30	56	14	25	12	72	80	16	0,52	688006 61100
1/2"	16	85	30	56	14	25	12	72	80	16	0,52	688006 61200
1/2"	24	100	30	60	14	25	12	72	80	16	1,06	688006 61600
1"	20	83	40	53	18	25	14	110	127	16	1,20	688006 62300



POS.	Denomination	PCS	MAT.
1	Body	1	AISI 316L
2	Plug	1	AISI 316L
3	Glass clamp	1	AISI 316L
4	Asta Spillo	1	AISI 316L
5	Vitone / Premistoppa	1	AISI 316L
6	Stopper nut	1	AISI 316L
7	Seal	2 / 1	PTFE
8	Seal	1	PTFE
9	OR/Guarnizione Stringivetro	1	FKM
10	OR	1	FKM
11	Guarnizione / OR	1	PTFE + Vetro / FKM
12	OR	1	FKM
13	Handwheel	1	Duroplast
14	Washer	1	AISI 304L
15	Nut	1	AISI 304L

