

688005 INFERIOR GAUGE COCK WITH DRAWING OF SAMPLE ISO 228 M



Lower GAUGE-COCK with DRAWING OF SAMPLE

Drive: Handwheel

Connection: ISO 228 male thread

Material: Aisi 316L (1.4404)

Measure: from 3/8" to 1"

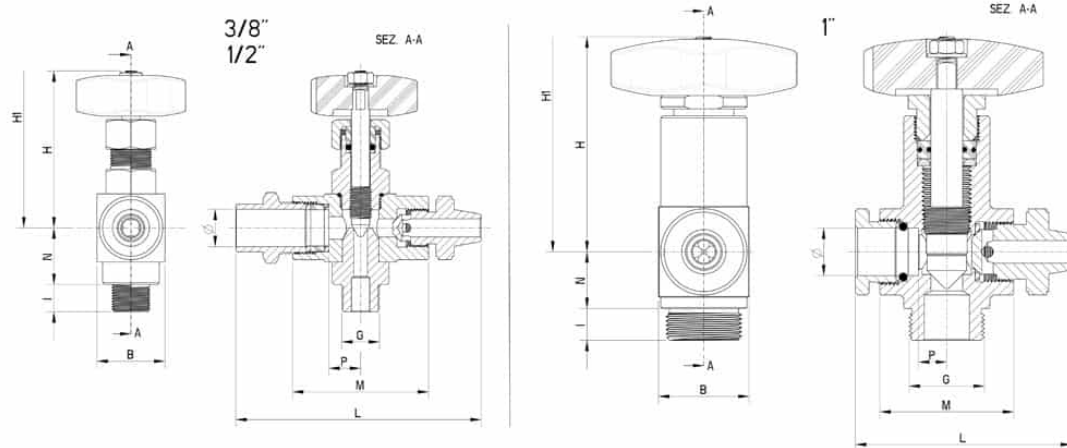
Operating temperature: -20°C 160°C

Outer finish: Polished

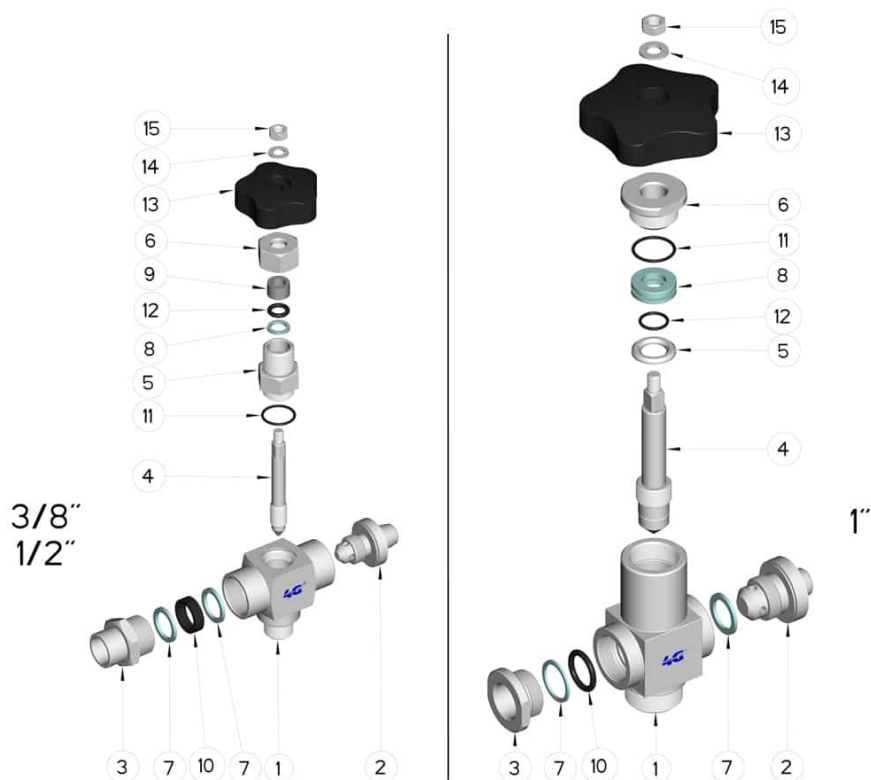
On request:

- Connection for glass pipe in other measure

M.O.C.A. CE 1935/2004



G	Ø	L	B	M	P	N	I	H	H 1	PN	Kg.	CODE AISI 316L
3/8"	12	104	30	60	14	25	12	72	80	16	0,54	688005 60600
3/8"	14	104	30	60	14	25	12	72	80	16	0,54	688005 60700
3/8"	16	104	30	60	14	25	12	72	80	16	0,54	688005 60800
1/2"	12	104	30	60	14	25	12	72	80	16	0,56	688005 61000
1/2"	14	104	30	60	14	25	12	72	80	16	0,56	688005 61100
1/2"	16	104	30	60	14	25	12	72	80	16	0,56	688005 61200
1/2"	24	118	30	60	14	25	12	72		16	0,71	688005 61600
1"	20	95	40	60	18	25	14	110	127	16	1,29	688005 62300



POS.	Denomination	PCS	MAT.
1	Body	1	AISI 316L
2	Spillo prelevacampione	1	AISI 316L
3	Glass clamp	1	AISI 316L
4	Asta Spillo	1	AISI 316L
5	Vitone / Premistoppa	1	AISI 316L
6	Press-seal	1	AISI 316L
7	Seal	2	PTFE
8	Seal	2	PTFE
9	Guarnizione asta	1	PTFE + Vetro
10	OR/Guarnizione Stringivetro	1	FKM
11	OR	1	FKM
12	OR	1	FKM
13	Handwheel	1	Duroplast
14	Washer	1	AISI 304L
15	Nut	1	AISI 304L

