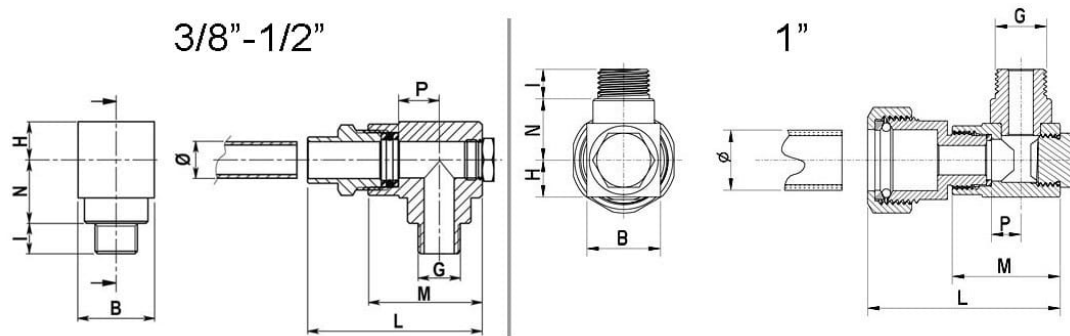


680005 ELBOW GAUGE COCK ISO 228 M



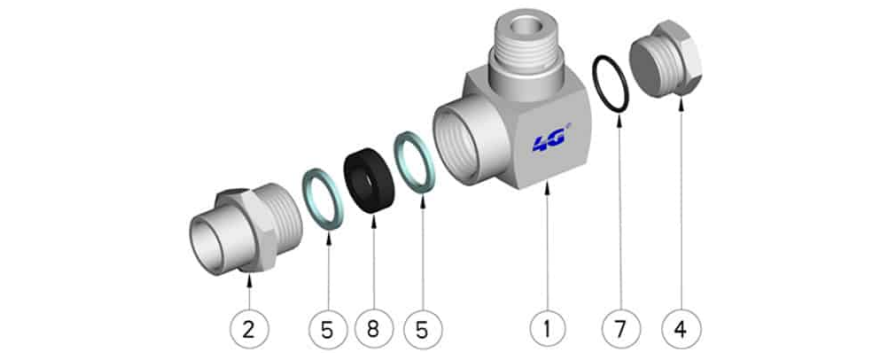
UPPER Elbow GAUGE-COCK
Connection: ISO 228 male thread
Material: Aisi 316L (1.4404)
Measure: from 3/8" to 1"
Operating temperature: -20°C+160°C
Outer finish: Polished

On request:
• Connection for glass pipe in other measure
M.O.C.A. CE 1935/2004

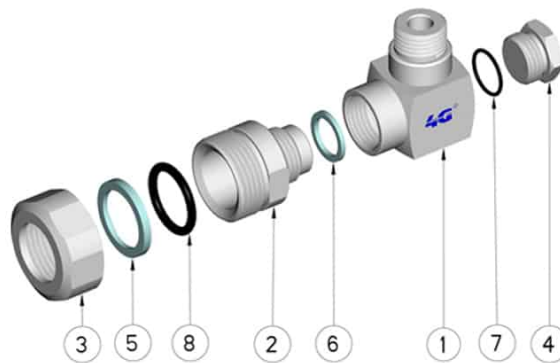


G	Ø	L	B	M	P	N	I	H	PN	Kg.	CODE AISI 316L
3/8"	12	65	30	44	12	25	12	15	16	0,30	680005 60600
3/8"	14	65	30	44	12	25	12	15	16	0,30	680005 60700
3/8"	16	65	30	44	12	25	12	15	16	0,30	680005 60800
1/2"	12	65	30	44	12	25	12	15	16	0,31	680005 61000
1/2"	14	65	30	44	12	25	12	15	16	0,31	680005 61100
1/2"	16	65	30	44	12	25	12	15	16	0,31	680005 61200
1/2"	24	78	30	44	12	25	12	15	16	0,46	680005 61600
1"	20	60	40	50	18	25	14	20	16	0,61	680005 62300

3/8" - 1/2"



1"



POS.	Denomination	PCS	MAT.
1	Body	1	AISI 316L
2	Glass clamp	1	AISI 316L
3	Ring nut	1	AISI 316L
4	Plug	1	AISI 316L
5	Premi OR	1	PTFE
6	Glass tube seal	1	PTFE
7	OR tappo	1	FKM
8	OR/Guarnizione Stringivetro	1	FKM

