

678201 RATE VALVE ISO 228 F WITH GRADUATE HANDWHEEL



Rate valve

Drive: GRADUATE Handwheel

Connection: ISO 228 female/female thread

Material: Aisi 316L

Measure: from 1/2" to 1"1/2

Operating temperature: -20°C+160°C

Outer finish: Polished

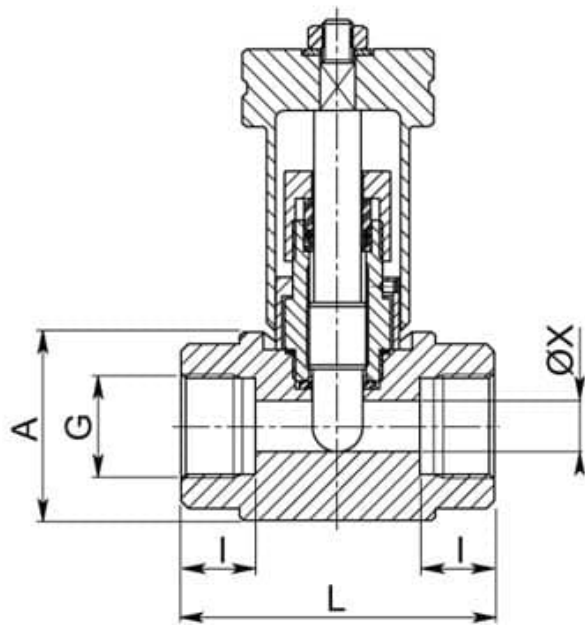
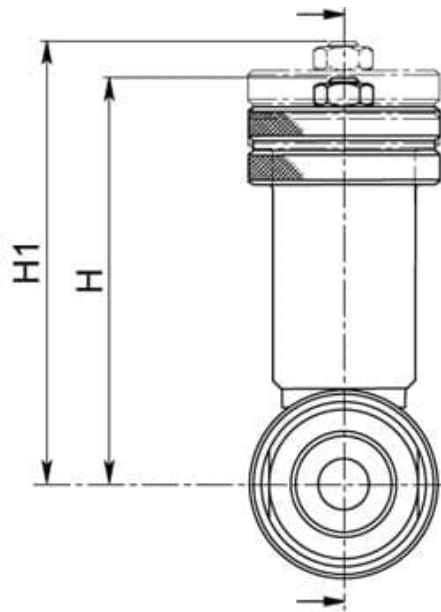
On request:

Antistatic device ATEX:

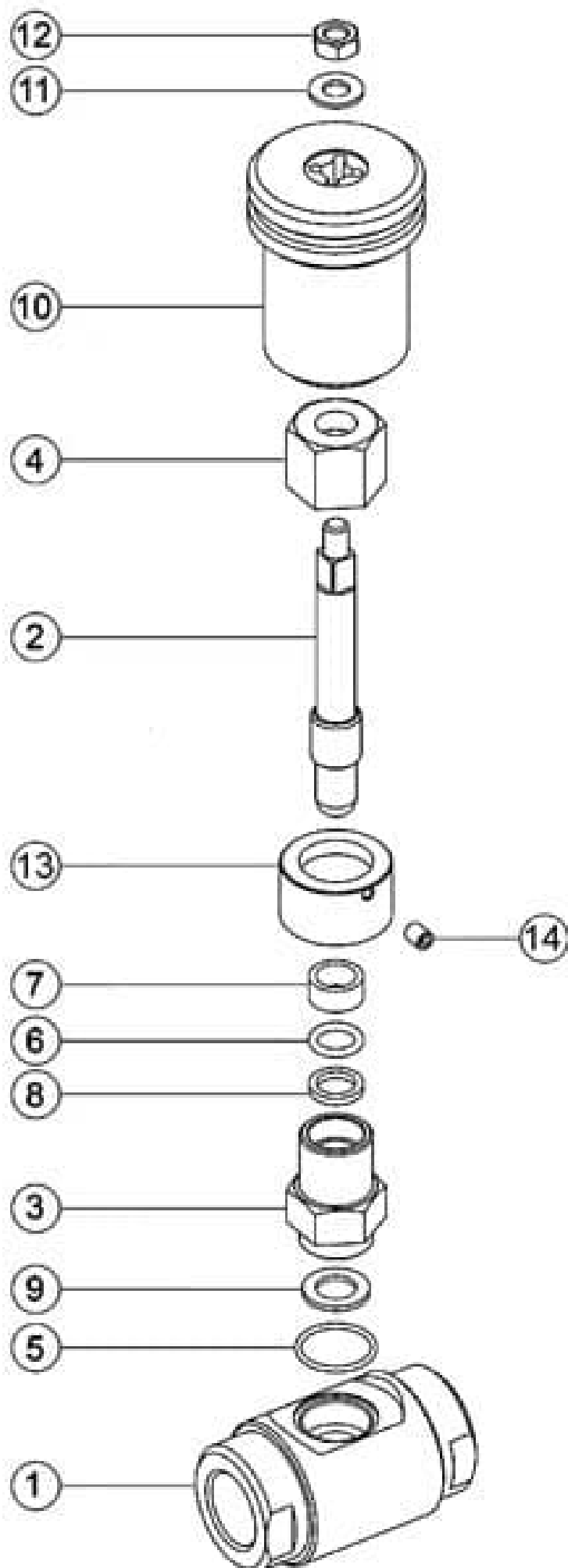
II 2G Ex h IIC T4 Gb

II 2D Ex h IIIC T135°C Db

M.O.C.A. CE 1935/2004



G	L	I	A	H	H1	Ø X	PN	kg	CODE AISI 316L
1/2"	60	14	□ 30	68	74	8,5	100	--	678201 61400
3/4"	80	19	Ø 48	105	116	13	100	--	678201 62000
1"	80	19	Ø 48	105	116	13	100	--	678201 62600
1" 1/4	90	19	Ø 60	109	124	18	100	2,21	678201 63000
1" 1/2	90	19	Ø 60	109	124	18	100	2,09	678201 63400



POS.	DENOMINATION	PCS	MAT.
1	Body	1	AISI 316L
2	Spillo	1	AISI 316L
3	Vitone	1	AISI 316L
4	Dado premistoppa	1	AISI 316L
5	OR	1	FKM
6	OR	1	FKM
7	Seal	1	PTFE Caricato Vetro/With glass
8	Seal	1	PTFE
9	Seal	1	PTFE
10	Volantino graduato	1	AISI 304L
11	Washer	1	AISI 304L
12	Nut	1	AISI 304L
13	Anello graduato	1	AISI 316L
14	SCREW	1	AISI 304L

