

## 678001 RATE VALVE ISO 228 F



Rate valve

Drive: Handwheel

Connection: ISO 228 female/female thread

Material: Aisi 316L (1.4404)

Measure: from 1/2" to 1"1/2

Operating temperature: -20°C+160°C

Outer finish: Polished

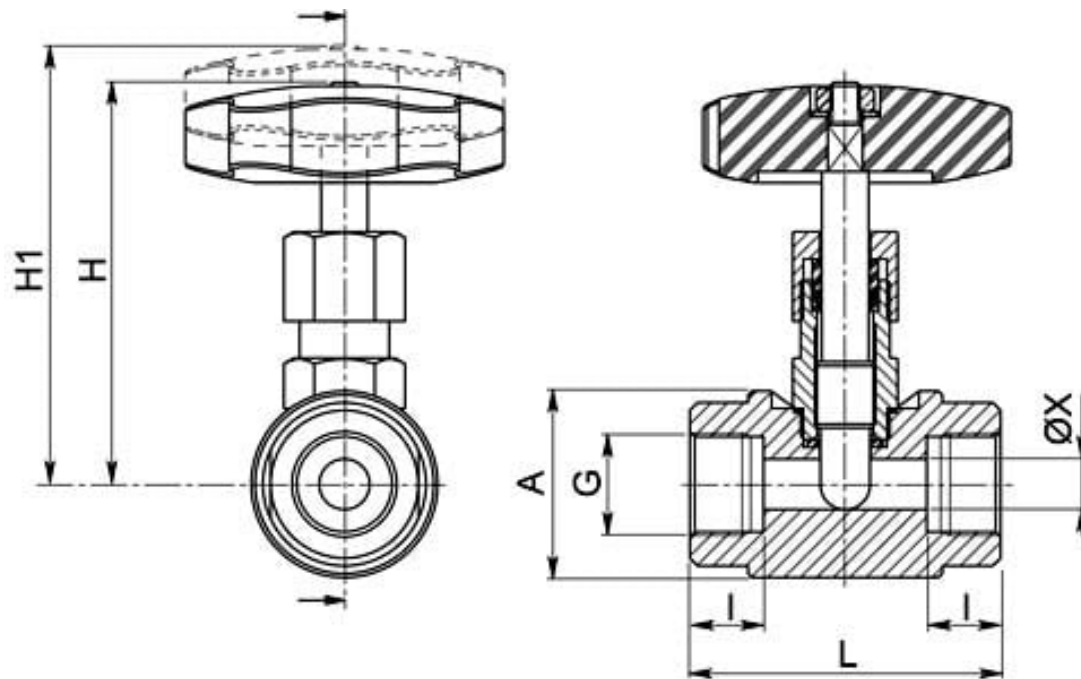
On request:

Antistatic device ATEX:

II 2G Ex h IIC T4 Gb

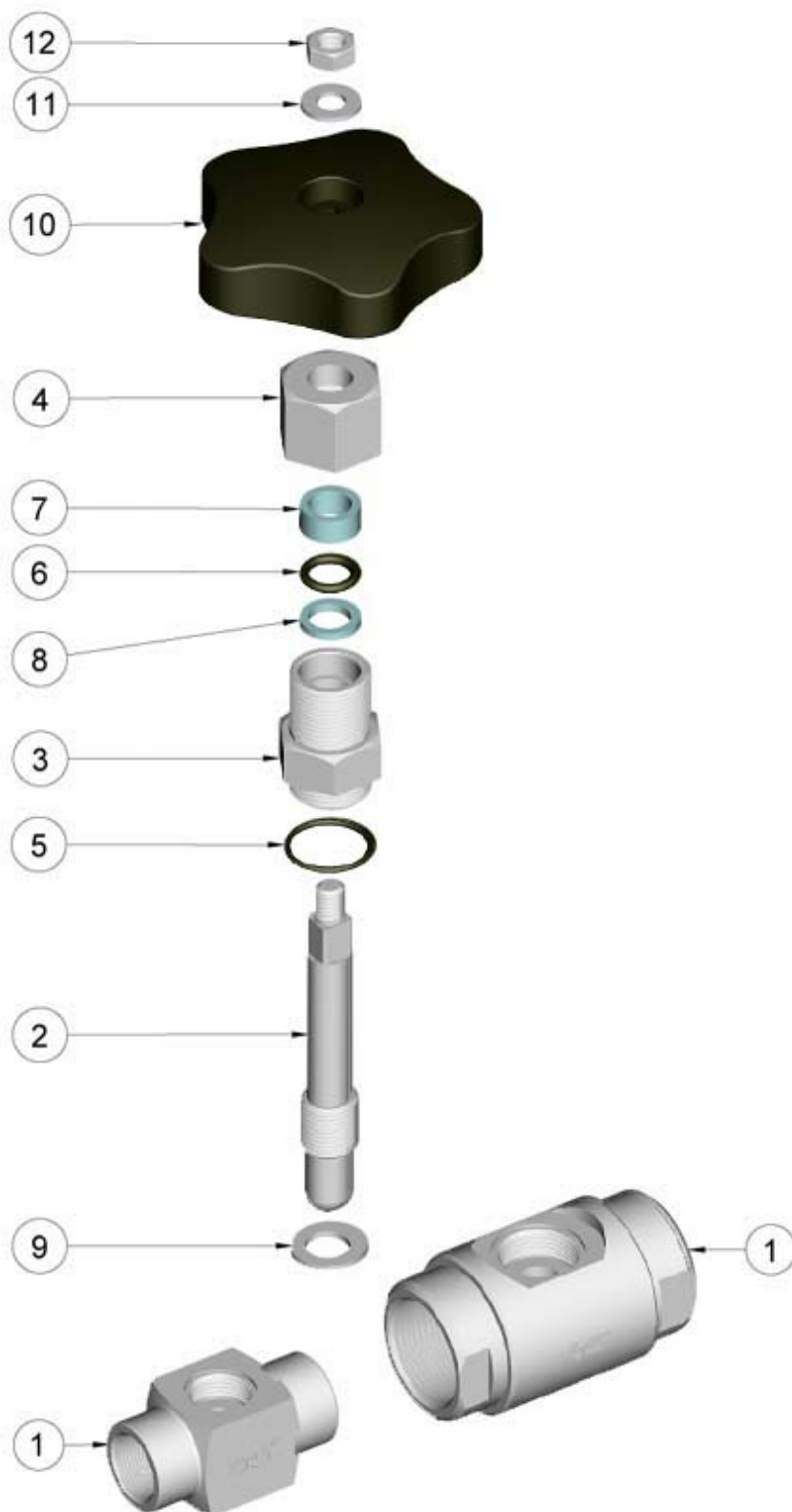
II 2D Ex h IIIC T135°C Db

M.O.C.A. CE 1935/2004



---

G	L	I	A	H	H 1	Ø X	PN	Kg	CODE AISI 316L
1/2"	60	14	□30	68	74	8,5	100	0,40	678001 61400
3/4"	80	19	Ø 48	105	116	13	100	1,16	678001 62000
1"	80	19	Ø 48	105	116	13	100	1,07	678001 62600
1" 1/4	90	19	Ø 60	109	123	18,2	100	1,75	678001 63000
1" 1/2	90	19	Ø 60	109	123	18,2	100	1,63	678001 63400



POS.	Denomination	PCS	MAT.
------	--------------	-----	------

1	Body	1	AISI 316L
2	Needle	1	AISI 316L
3	Screw	1	AISI 316L
4	Stopper nut	1	AISI 316L
5	OR	1	FKM
6	OR	1	FKM
7	Seal	1	PTFE Caricato Vetro/With glass
8	Seal	1	PTFE
9	Seal	1	PTFE
10	Handwheel	1	AISI 304L
11	Washer	1	AISI 304L
12	Nut	1	AISI 304L

