

658250 PIN VALVE FLANGED UNI EN 1092-1 WITH GRADUATE HANDWHEEL



PIN valve

Drive: GRADUATE Handwheel

Connection: Revolving threaded flanges UNI EN 1092-1:2003

Material: Aisi 316L (1.4404)

Measure: from D 10 to DN25

Operating temperature: -20°C+160°C

Outer finish: Polished

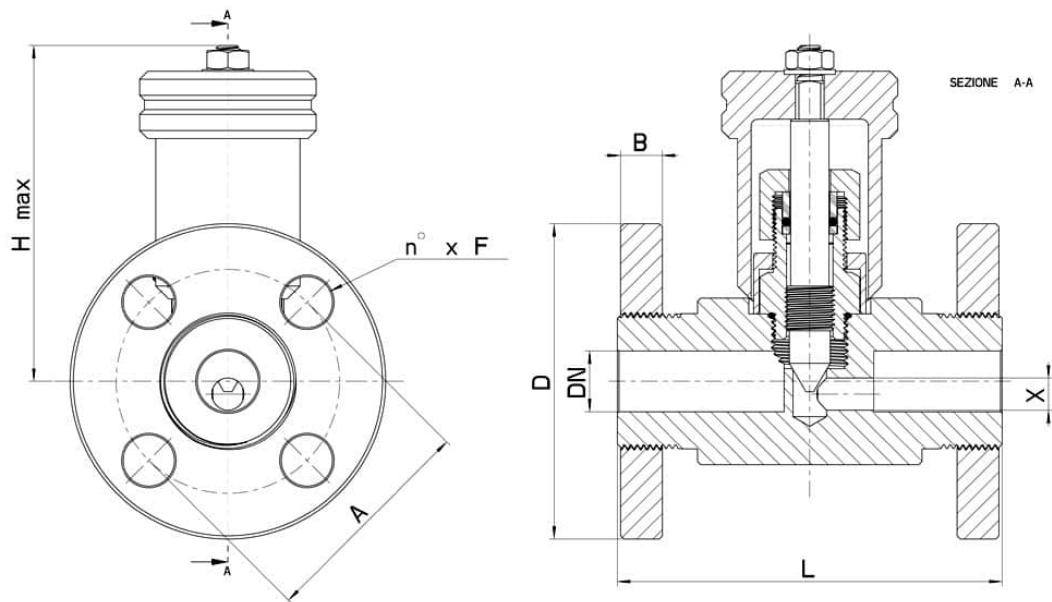
On request:

Antistatic device ATEX:

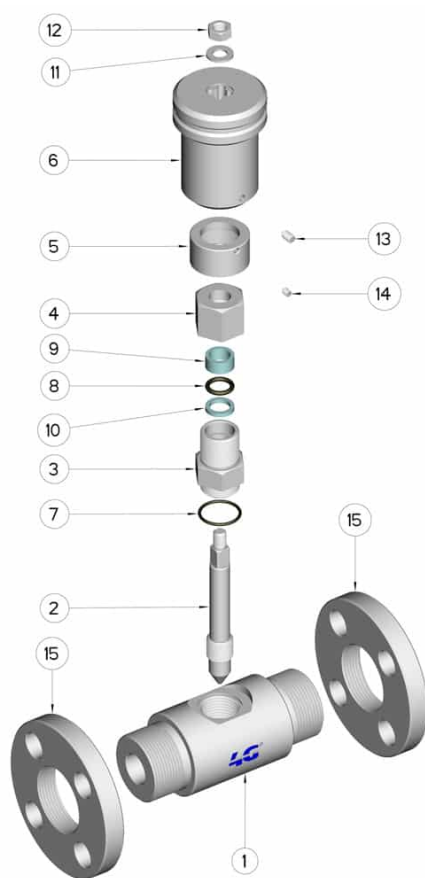
II 2G Ex h IIC T4 Gb

II 2D Ex h IIIC T135°C Db

M.O.C.A. CE 1935/2004



DN	L	H	X	D	B	A	F	PN	KG	CODE AISI 316L
10	110	78	5	90	12	60	4 x 14	40	-	658250 60800
15	115	80	6	95	12	65	4 x 14	40	-	658250 61400
20	120	117	10	105	14	75	4 x 14	40	-	658250 62000
25	125	117	10	115	14	85	4 x 14	40	-	658250 62600



POS.	Denomination	PCS	MAT.
1	Body	1	AISI 316L
2	Needle	1	AISI 316L
3	Screw	1	AISI 316L
4	Stopper nut	1	AISI 316L
5	Graduate ring	1	AISI 316L
6	Graduate handwheel	1	AISI 304L
7	OR	1	FKM
8	OR	1	FKM
9	Seal	1	PTFE Caricato Vetro/With glass
10	Seal	1	PTFE
11	Washer	1	AISI 304L
12	Nut	1	AISI 304L
13	SCREW	1	AISI 304L
14	SCREW	1	AISI 304L
15	Flanges	2	AISI 316L

