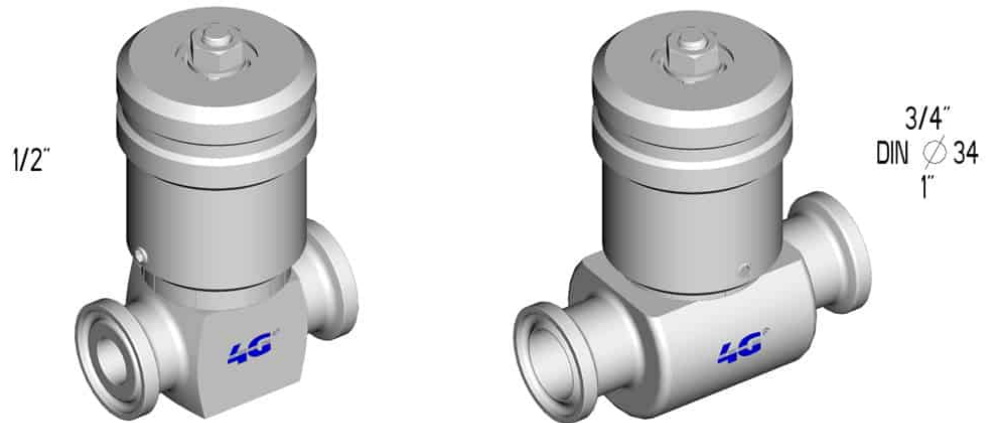


658230 PIN VALVE CLAMP WITH GRADUATE HANDWHEEL



PIN valve

Drive: GRADUATE Handwheel

Connection: CLAMP normative DIN 32676 TAB.4 REIHE C e TAB.2 REIHE A

Material: Aisi 316L

Measure: from 1/2" to 1"

Operating temperature: -20°C+160°C

Outer finish: Polished

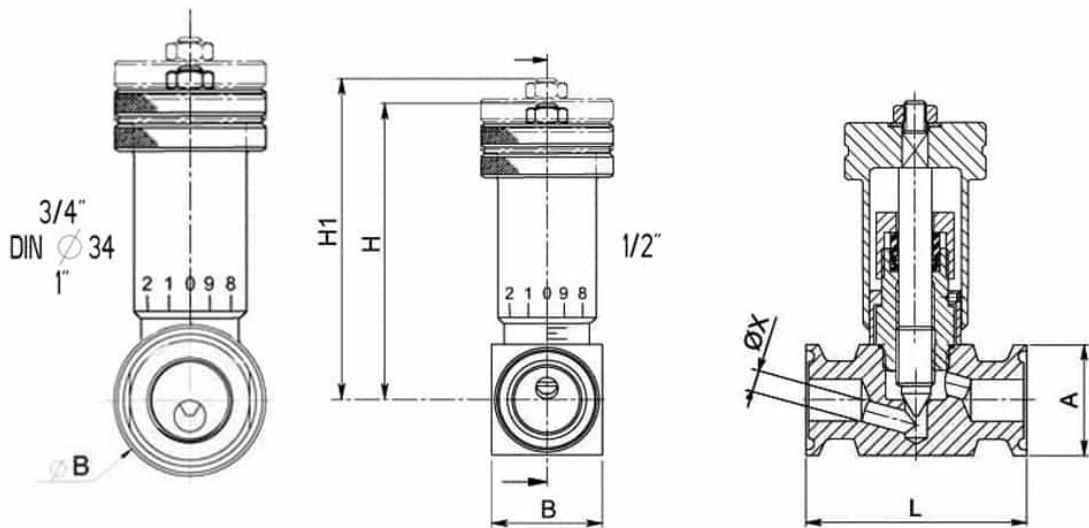
On request:

Antistatic device ATEX:

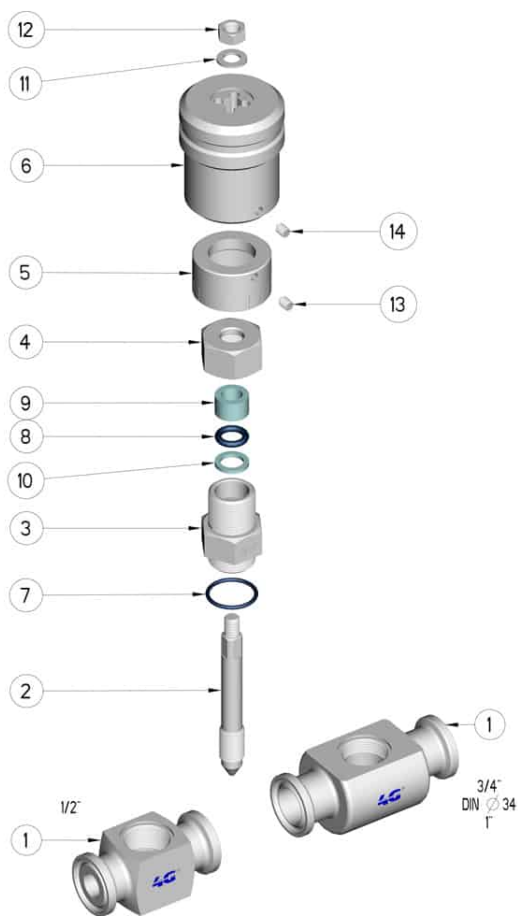
II 2G Ex h IIC T4 Gb

II 2D Ex h IIIC T135°C Db

M.O.C.A. CE 1935/2004



CLAMP	Ø A	L	B	H	H 1	Ø X	PN	Kg	CODE AISI 316L
1/2"	24.8	52	25	70	78	5	160	0,48	658230 61100
3/4"	24.8	70	Ø 35	67	80	6	100	-	658230 61500
DIN	34	70	Ø 35	67	80	6	100	0,48	658230 61900
1"	50.5	90	Ø 52	104	119	10	100	-	658230 62300



POS.	DENOMINATION	PCS	MAT.
1	Body	1	AISI 316L
2	Spillo	1	AISI 316L
3	Vitone	1	AISI 316L
4	Dado premistoppa	1	AISI 316L
5	Anello graduato	1	AISI 316L
6	Volantino graduato	1	AISI 304L
7	OR	1	FKM
8	OR	1	FKM
9	Seal	1	PTFE Caricato Vetro/With glass
10	Seal	1	PTFE
11	Washer	1	AISI 304L
12	Nut	1	AISI 304L
13	SCREW	1	AISI 304L
14	SCREW	1	AISI 304L

