

## 658201 PIN VALVE ISO 228 F WITH GRADUATE HANDWHEEL



PIN valve

Drive: GRADUATE Handwheel

Connection: ISO 228 female/female thread

Material: Aisi 316L (1.4404)

Measure: from 1/4" to 1"1/2

Operating temperature: -20°C+160°C

Outer finish: Polished

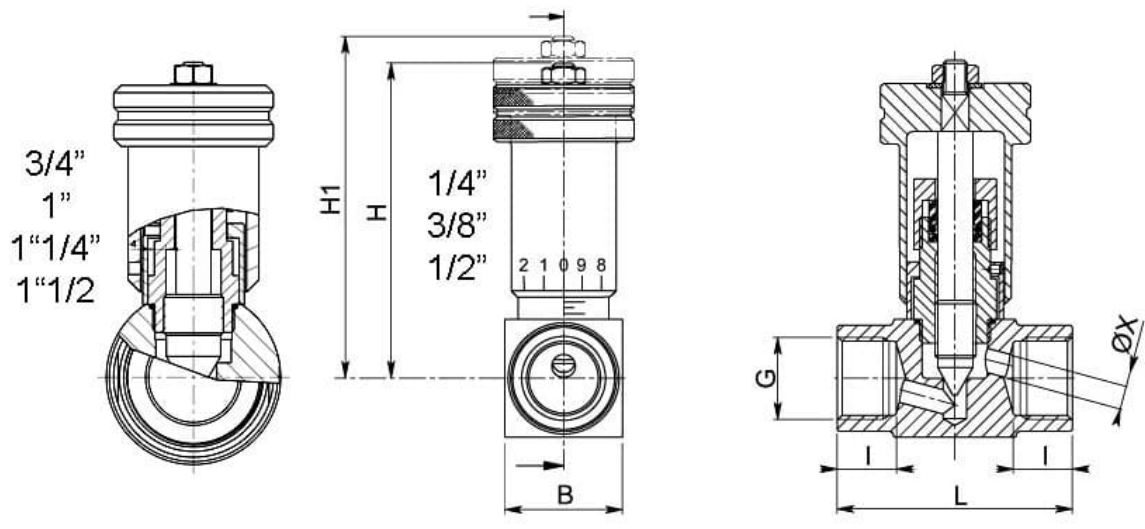
On request:

Antistatic device ATEX:

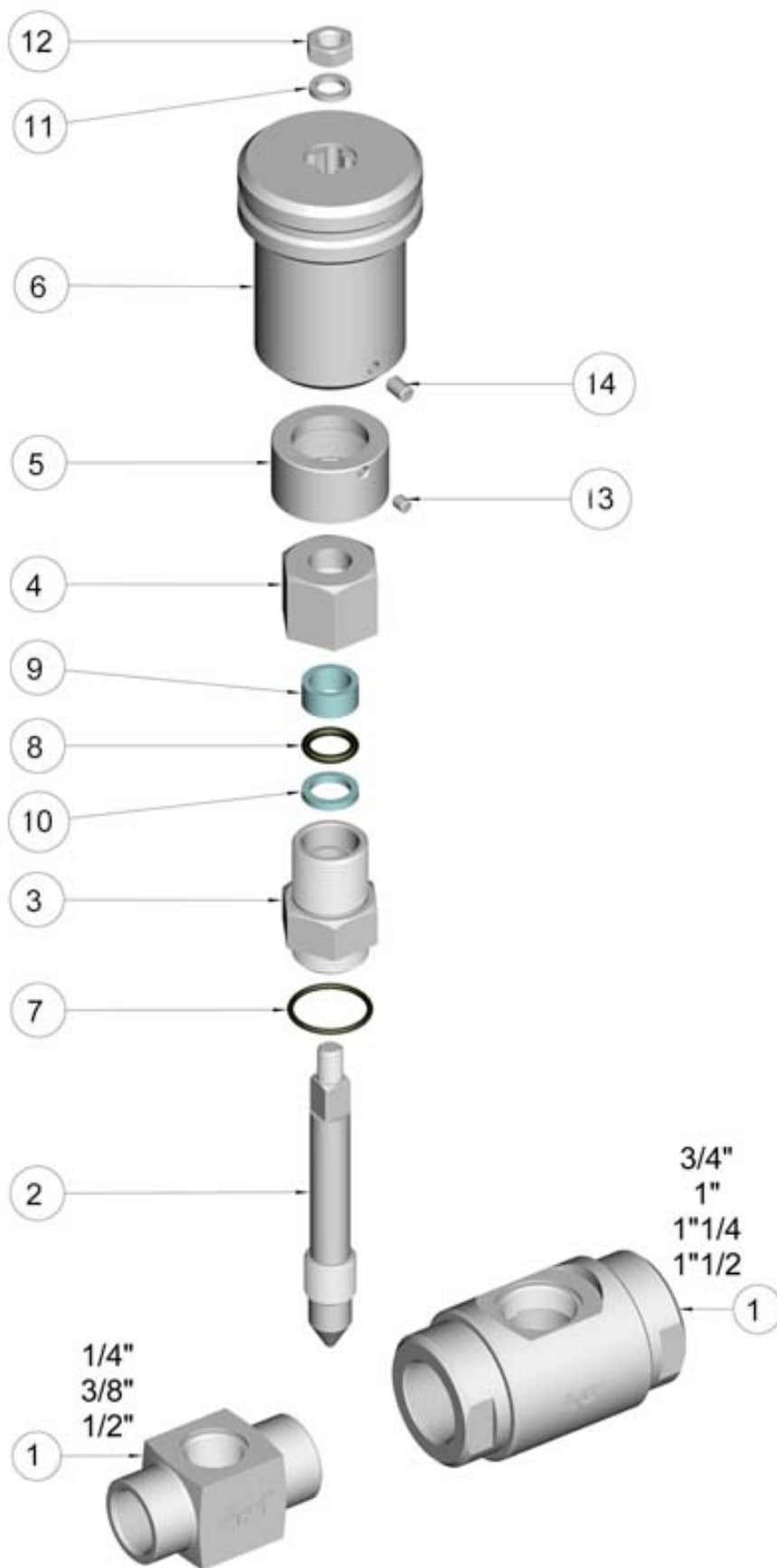
II 2G Ex h IIC T4 Gb

II 2D Ex h IIIC T135°C Db

M.O.C.A. CE 1935/2004



G	L	I	B	H	H1	X	PN	KG	CODE AISI 316L
1/4"	45	10	□ 20	70	78	4	160	0,49	658201 60300
3/8"	53	11	□ 25	70	78	5	160	0,48	658201 60700
1/2"	60	14	□ 30	72	80	6	160	0,56	658201 61100
3/4"	80	17	Ø 48	102	117	10	100	1,125	658201 62000
1"	80	19	Ø 48	102	117	10	100	1,48	658201 62600
1" 1/4	90	19	Ø 60	109	124	16	100	2,12	658201 63000
1" 1/2	90	19	Ø 60	109	124	16	100	1,99	658201 63400



POS.	DENOMINATION	PCS	MAT.
1	Body	1	AISI 316L
2	Spillo	1	AISI 316L
3	Vitone	1	AISI 316L
4	Dado premistoppa	1	AISI 316L
5	Anello graduato	1	AISI 316L
6	Volantino graduato	1	AISI 304L
7	OR	1	FKM
8	OR	1	FKM
9	Seal	1	PTFE Caricato Vetro/With glass
10	Seal	1	PTFE
11	Washer	1	AISI 304L
12	Nut	1	AISI 304L
13	SCREW	1	AISI 304L
14	SCREW	1	AISI 304L

