

## 658055 PIN VALVE FLANGED EN 1759-1 CLASS 150



PIN valve

Drive: Handwheel

Connection: Revolving threaded flanges EN 1759-1 CLASS 150

Material: Aisi 316L (1.4404)

Measure: from 1/2" to 1"

Operating temperature: -20°C+160°C

Outer finish: Polished

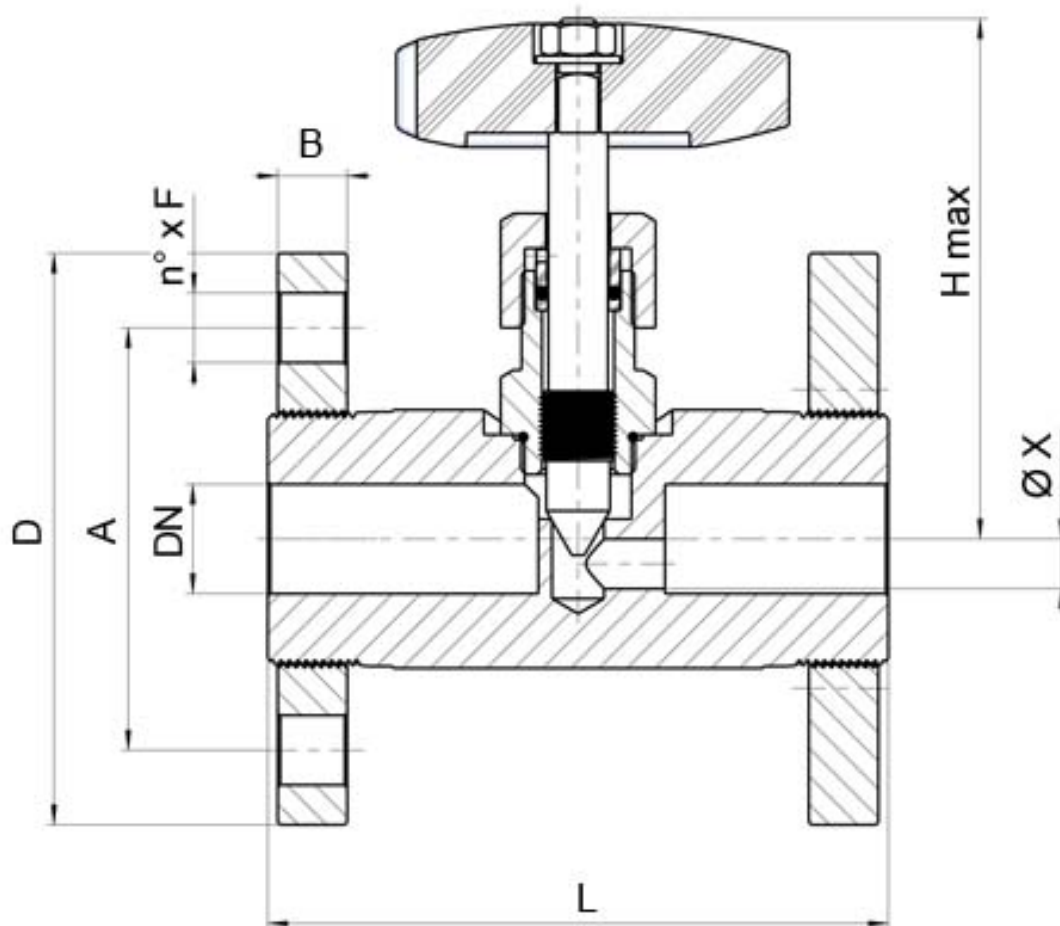
On request:

Antistatic device ATEX:

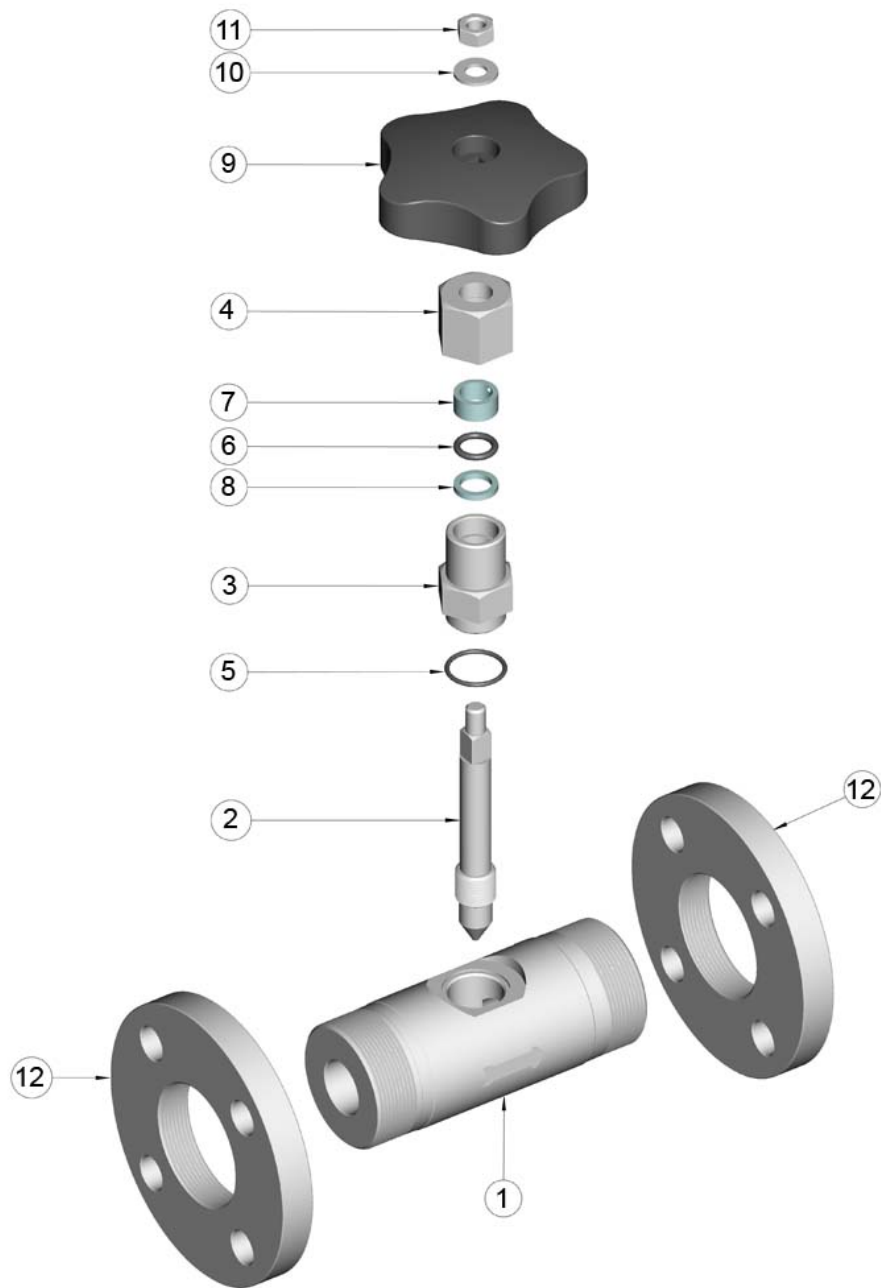
II 2G Ex h IIC T4 Gb

II 2D Ex h IIIC T135°C Db

M.O.C.A. CE 1935/2004



CLASS 150	DN	L	H	X	D	B	A	n° x F	KG	CODE AISI 316L
1/2"	15	115	80	6	88,9	9,5	60.6	4x16	-	658055 61400
3/4"	20	120	117	10	98,4	11,1	69.8	4x16	-	658055 62000
1"	25	125	117	10	108	12,7	79.4	4x16	-	658055 62600



POS.	DENOMINATION	PCS	MAT.
1	Body	1	AISI 316L
2	Spillo	1	AISI 316L
3	Vitone	1	AISI 316L
4	Dado premistoppa	1	AISI 316L
5	OR	1	FKM
6	OR	1	FKM
7	Seal	1	PTFE Caricato Vetro/With glass
8	Seal	1	PTFE
9	Volantino	1	Duroplast
10	Washer	1	AISI 304L
11	Nut	1	AISI 304L

POS.	DENOMINATION	PCS	MAT.
12	Flanges	2	AISI 316L

