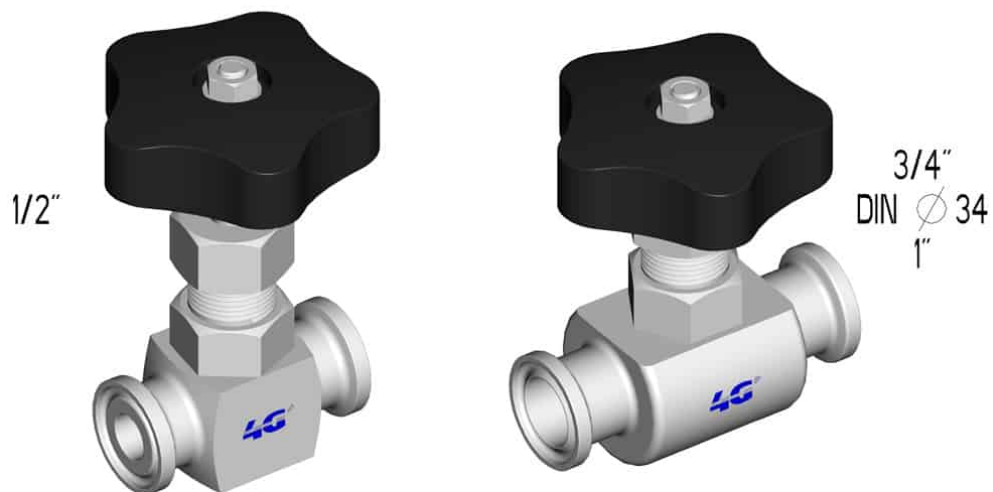


658030 PIN VALVE CALMP



PIN valve

Drive: Handwheel

Connection: CLAMP normative DIN 32676 TAB.4 REIHE C e TAB.2 REIHE A

Material: Aisi 316L (1.4404)

Measure: from 1/2" to 1"

Operating temperature: -20°C+160°C

Outer finish: Polished

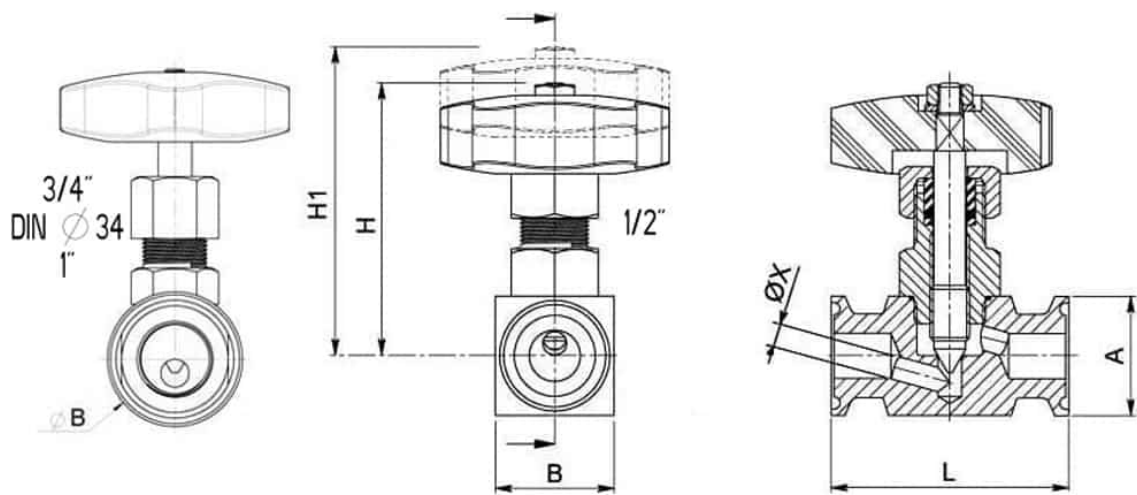
On request:

Antistatic device ATEX:

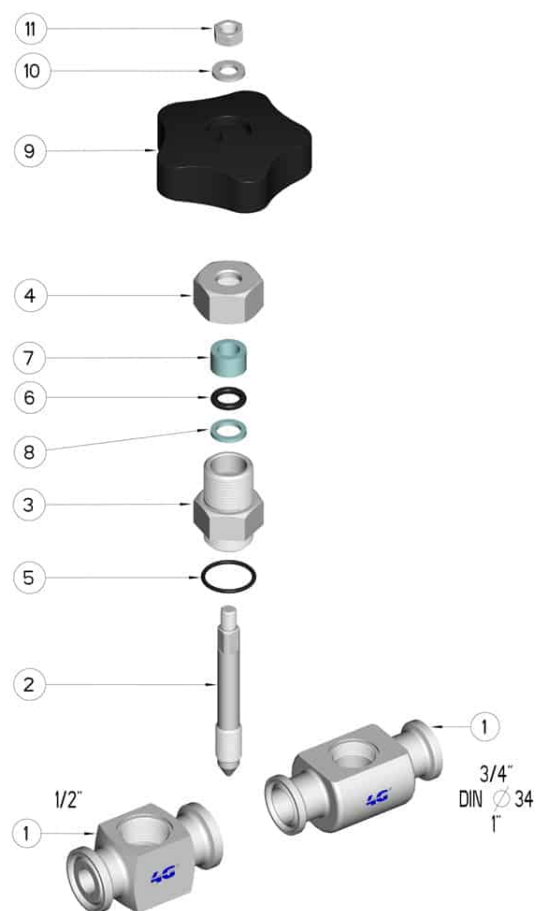
II 2G Ex h IIC T4 Gb

II 2D Ex h IIIC T135°C Db

M.O.C.A. CE 1935/2004



CLAMP	Ø A	L	B	H	H 1	Ø X	PN	Kg	CODE AISI 316L
1/2"	25	52	□ 25	70	78	5	160	0,300	658030 61100
3/4"	25	70	Ø 35	67	80	6	100	0,430	658030 61500
DIN Ø34	34	70	Ø 35	67	80	6	100	0,478	658030 61900
1"	50.5	90	Ø 52	104	119	10	100	1.230	658030 62300



POS.	DENOMINATION	PCS	MAT.
1	Body	1	AISI 316L
2	Spillo	1	AISI 316L
3	Vitone	1	AISI 316L
4	Dado premistoppa	1	AISI 316L
5	OR	1	FKM
6	OR	1	FKM
7	Seal	1	PTFE Caricato Vetro/With glass
8	Seal	1	PTFE
9	Volantino	1	Duroplast
10	Washer	1	AISI 304L
11	Nut	1	AISI 304L

