

658001 PIN VALVE ISO 228 F



PIN valve

Drive: Handwheel

Connection: ISO 228 female/female thread

Material: Aisi 316L (1.4404)

Measure: from 1/4" to 1 1/2"

Operating temperature: -20°C+160°C

Outer finish: Polished

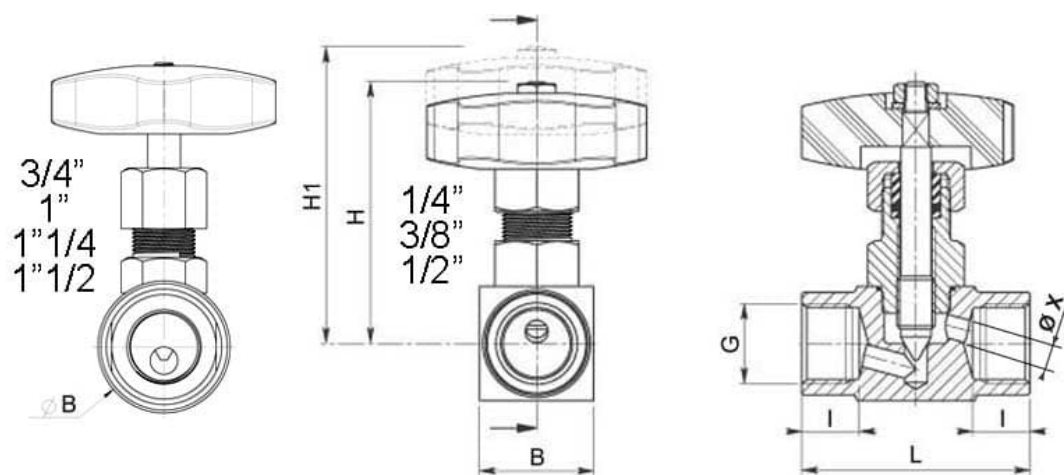
On request:

Antistatic device ATEX:

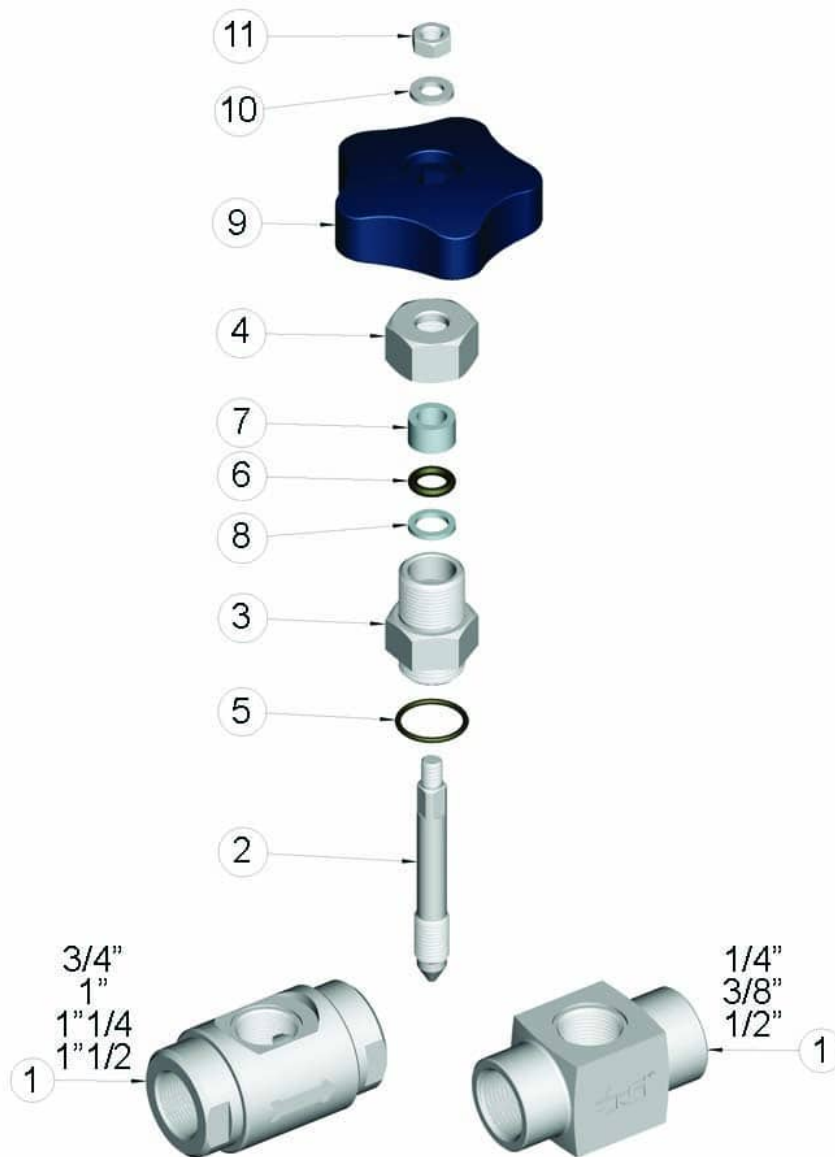
II 2G Ex h IIC T4 Gb

II 2D Ex h IIIC T135°C Db

M.O.C.A. CE 1935/2004



G	L	I	B	H	H 1	Ø X	PN	Kg	CODE AISI 316L
1/4"	45	10	□ 25	70	78	4	160	0,26	658001 60300
3/8"	53	11	□ 25	70	78	5	160	0,29	658001 60700
1/2"	60	14	□ 30	72	80	6	160	0,40	658001 61100
3/4"	80	17	Ø 48	102	117	10	100	1,12	658001 62000
1"	80	19	Ø 48	102	117	10	100	1,04	658001 62600
1" 1/4	90	19	Ø 60	114	130	16	100	1,68	658001 63000
1" 1/2	90	19	Ø 60	114	130	16	100	1,55	658001 63400



POS.	Denomination	PCS	MAT.
1	Body	1	AISI 316L
2	Needle	1	AISI 316L
3	Screw	1	AISI 316L
4	Stopper nut	1	AISI 316L
5	OR	1	FKM
6	OR	1	FKM
7	Seal	1	PTFE Caricato Vetro/With glass
8	Seal	1	PTFE
9	Handwheel	1	Duroplast
10	Washer	1	AISI 304L
11	Nut	1	AISI 304L

