

## 658001 Y PIN VALVE ISO 228 F FOR PANELING



PIN valve for PANELIG

Drive: Handwheel

Connection: ISO 228 female/female thread

Material: Aisi 316L (1.4404)

Measure: from 1/4" to 1"1/2

Operating temperature: -20°C+160°C

Outer finish: Polished

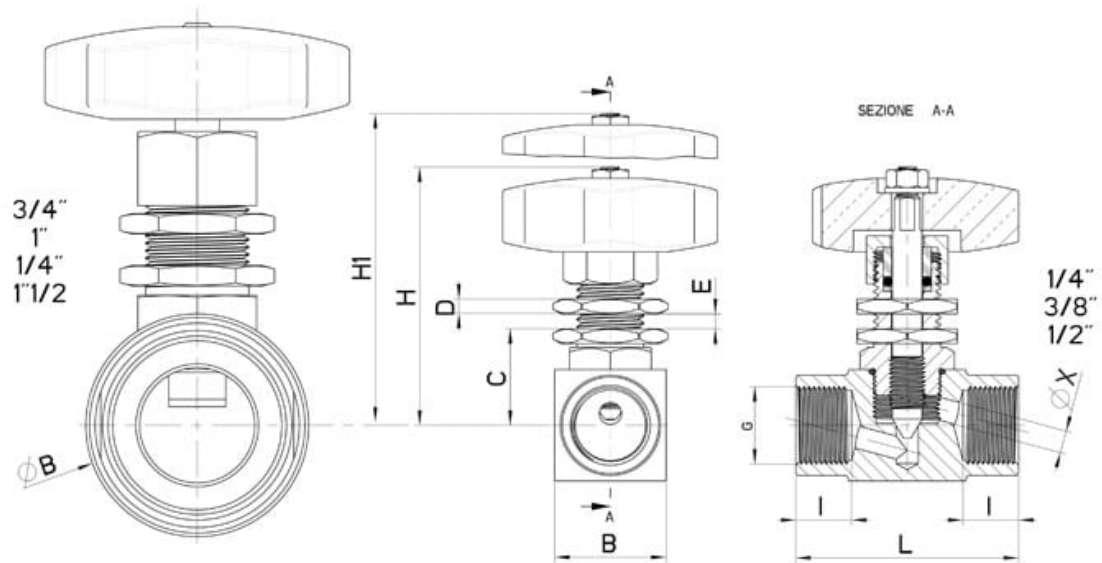
On request:

Antistatic device ATEX:

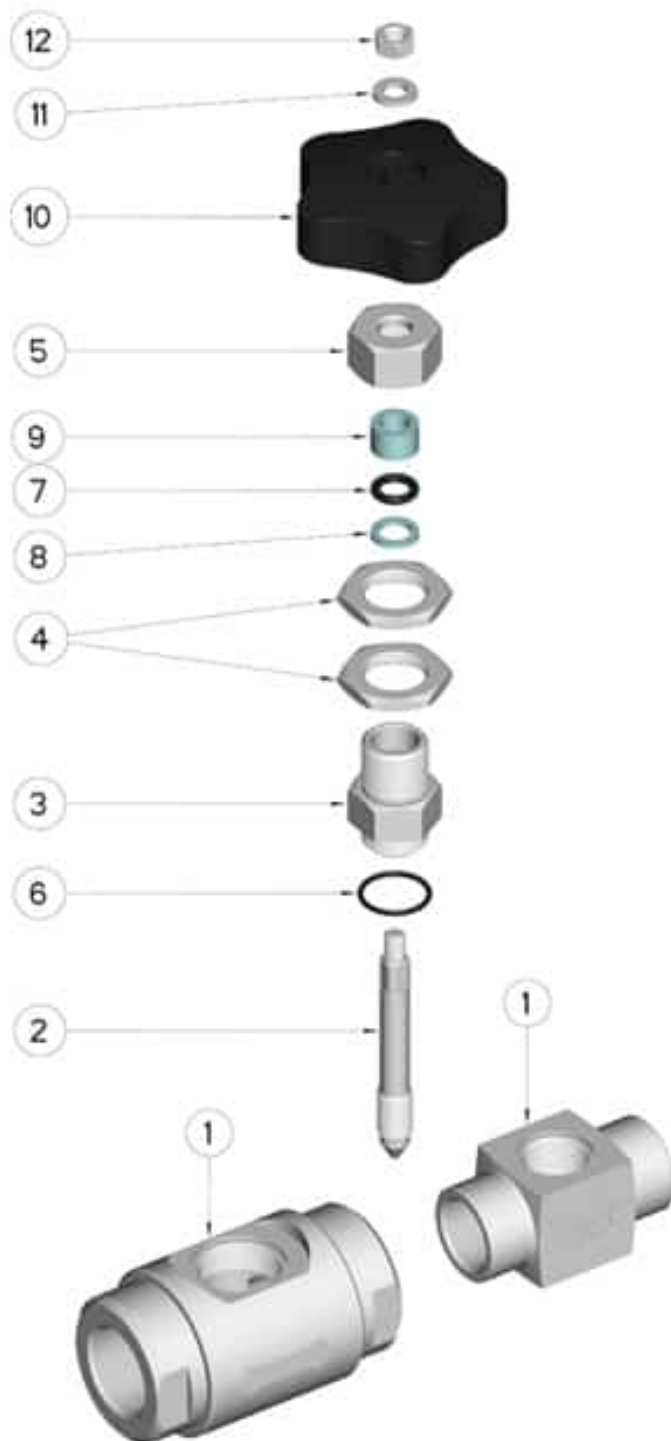
II 2G Ex h IIC T4 Gb

II 2D Ex h IIIC T135°C Db

M.O.C.A. CE 1935/2004



G	L	I	B	H	H1	X	C	D	A	Ch.	E	PN	Kg	CODE AISI 316L
1/4"	45	10	□ 25	70	78	4	25	4	18	27	6	160	0,277	658001 6030Y
3/8"	53	11	□ 25	70	78	5	25	4	18	27	6	160	0,306	658001 6070Y
1/2"	60	14	□ 30	70	78	6	25	4	18	27	6	160	0,409	658001 6110Y
3/4"	80	17	Ø48	102	117	10	34,5	5	23	32	11	100	1,177	658001 6200Y
1"	80	19	Ø48	102	117	10	34,5	5	23	32	11	100	1,08	658001 6260Y
1" 1/4	90	19	Ø60	108	123	16	42	6	28	32	11	100	1,8	658001 6300Y
1" 1/2	90	19	Ø60	108	123	16	42	6	28	32	11	100	1,65	658001 6340Y



POS.	DENOMINATION	PCS	MAT.
1	Body	1	AISI 316L
2	Spillo	1	AISI 316L
3	Vitone	1	AISI 316L
4	Nut	2	AISI 316L
5	Dado premistoppa	1	AISI 316L
6	OR	1	FKM
7	OR	1	FKM

POS.	DENOMINATION	PCS	MAT.
8	Seal	1	PTFE Caricato Vetro/With glass
9	Seal	1	PTFE
10	Volantino	1	Duroplast
11	Washer	1	AISI 304L
12	Nut	1	AISI 304L

