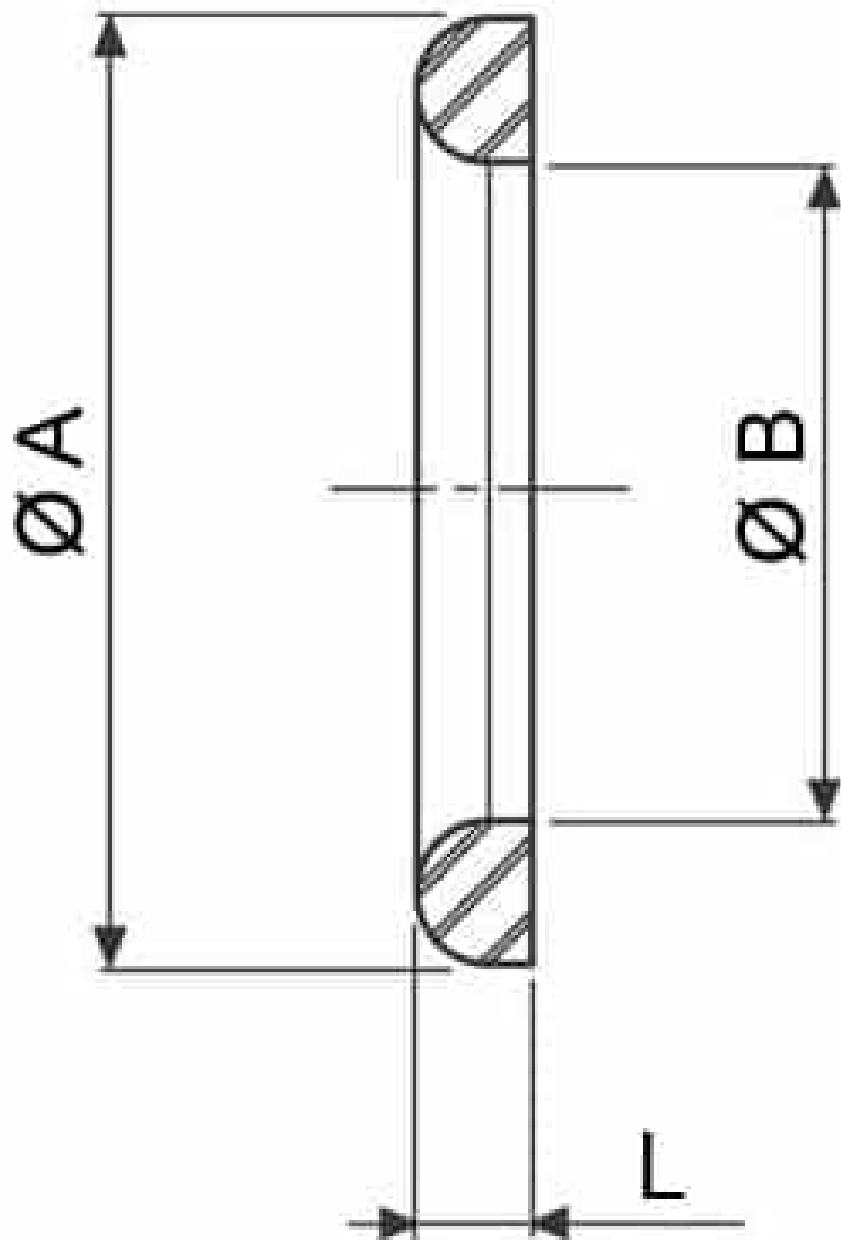


785100 DIN 11851 SEAL FOR THREE WORKPIECES



DIN 11851 seal for THREE WORKPIECES
Materials: NBR - EPDM - SILICONE - FKM (VITON)

On request:
Material: PTFE



| DN | Ø A | Ø B | L | CODICE NBR | CODICE EPDM | CODICE SILICONE | CODICE FKM (VITON) |
|-----|-----|-----|---|--------------|--------------|-----------------|--------------------|
| 10 | 20 | 12 | 4 | 785100 N0800 | 785100 E0800 | 785100 S0800 | 785100 V0800 |
| 15 | 26 | 18 | 4 | 785100 N1400 | 785100 E1400 | 785100 S1400 | 785100 V1400 |
| 20 | 33 | 23 | 4 | 785100 N2000 | 785100 E2000 | 785100 S2000 | 785100 V2000 |
| 25 | 40 | 30 | 5 | 785100 N2600 | 785100 E2600 | 785100 S2600 | 785100 V2600 |
| 32 | 46 | 36 | 5 | 785100 N3000 | 785100 E3000 | 785100 S3000 | 785100 V3000 |
| 40 | 52 | 42 | 5 | 785100 N3400 | 785100 E3400 | 785100 S3400 | 785100 V3400 |
| 50 | 64 | 54 | 5 | 785100 N3800 | 785100 E3800 | 785100 S3800 | 785100 V3800 |
| 60 | 72 | 62 | 5 | 785100 N4000 | 785100 E4000 | 785100 S4000 | 785100 V4000 |
| 65 | 81 | 71 | 5 | 785100 N4400 | 785100 E4400 | 785100 S4400 | 785100 V4400 |
| 80 | 95 | 85 | 5 | 785100 N4800 | 785100 E4800 | 785100 S4800 | 785100 V4800 |
| 90 | 104 | 94 | 5 | 785100 N5000 | 785100 E5000 | 785100 S5000 | 785100 V5000 |
| 100 | 114 | 104 | 5 | 785100 N5400 | 785100 E5400 | 785100 S5400 | 785100 V5400 |
| 125 | 142 | 130 | 7 | 785100 N5800 | 785100 E5800 | 785100 S5800 | 785100 V5800 |
| 150 | 167 | 155 | 7 | 785100 N6200 | 785100 E6200 | 785100 S6200 | 785100 V6200 |

