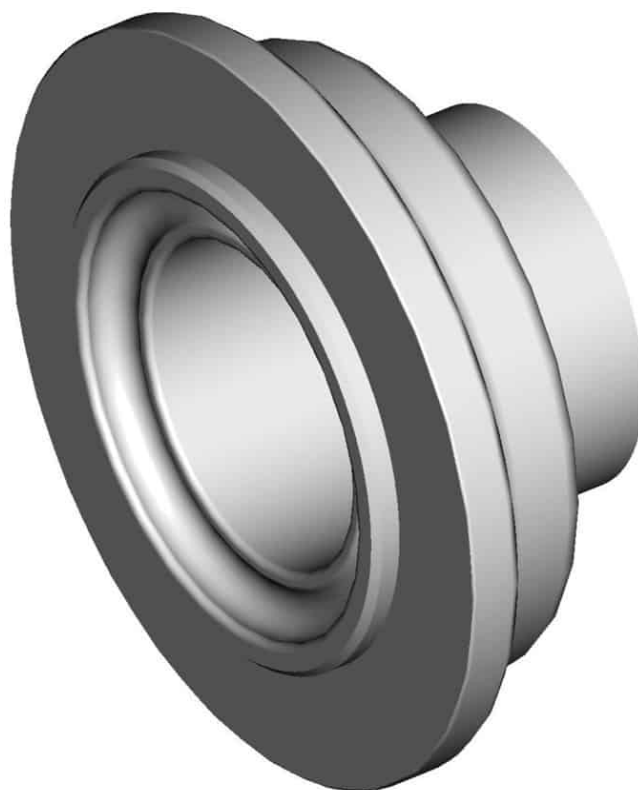
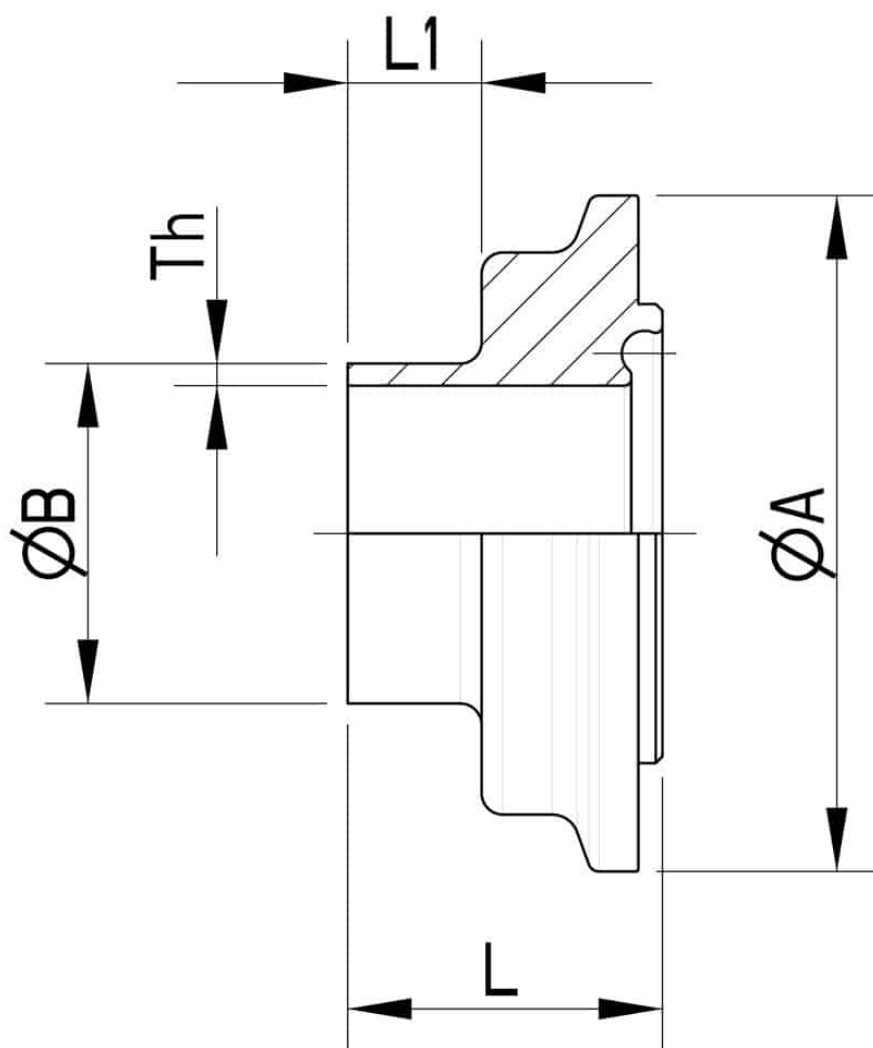


768218 FOR BS PIPE



ASEPTIK Shank DIN 11853-3 REIHE C NKS (Female)
For TUBE according to normative DIN 11866-C and ASTM A-270
Material: Aisi 316L (1.4404)

On request:
M.O.C.A. CE 1935/2004



DN	Ø A	Ø B x Th	L	L1	Kg	CODE AISI 316L
1/2"	34	12,7 x 1,65	23,5	10	-	768218 60300
3/4"	34	19,05 x 1,65	23,5	10	-	768218 61100
1"	50,5	25,4 x 1,65	23,5	10	-	768218 62100
1"1/2	64	38,1 x 1,65	25,5	10	-	768218 62900
2"	77,5	50,8 x 1,65	26	10	-	768218 64000
2"1/2	91	63,5 x 1,65	29	10	-	768218 65000
3"	106	76,2 x 1,65	30	10	-	768218 66100
4"	130	101,6 x 2,11	31	10	-	768218 67000

