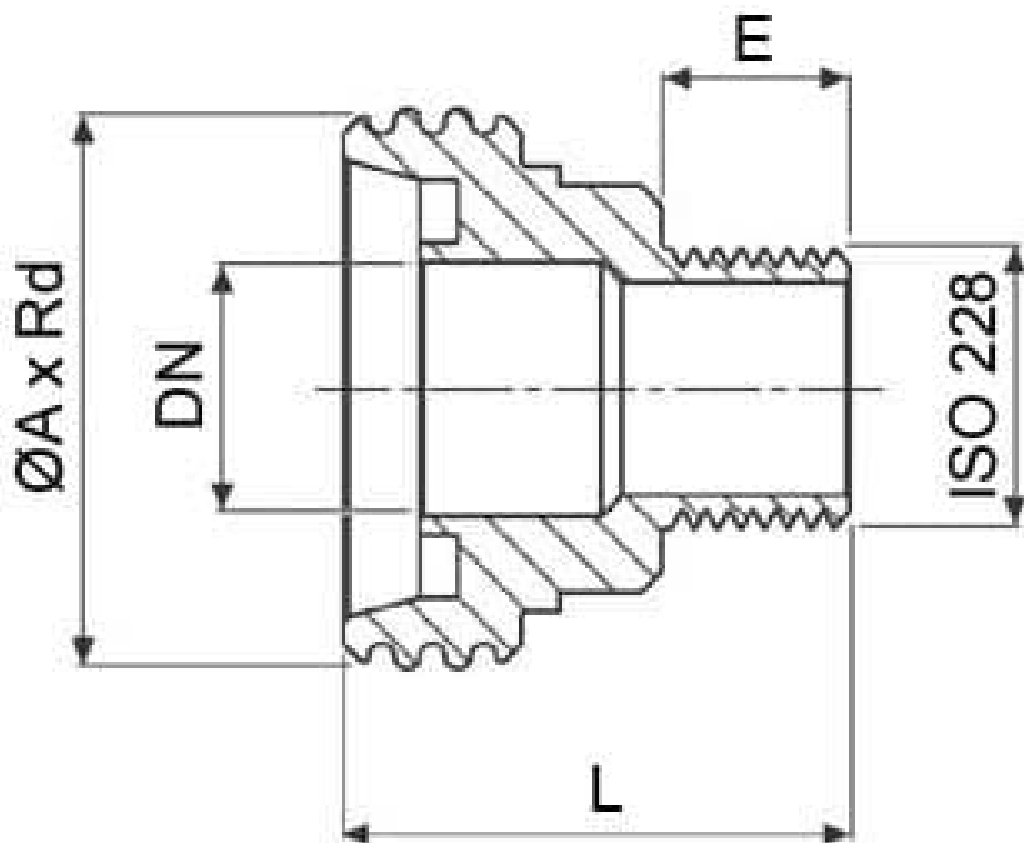


## 767205 DIN 11851 FEMALE FOR ISO 228 MALE CYLINDRICAL GAS REDUCTION



DIN 11851 Female for ISO 228 Male CYLINDRICAL GAS REDUCTION  
Material: Aisi 316L (1.4404)

On request:  
M.O.C.A. CE 1935/2004



DN x ISO 228	Ø A x Rd	E	L	Kg	CODE AISI 304L	CODE AISI 316L
10 x 1/4"	28 x 1/8"	11	34	0,070	767205 40800	767205 60800
15 x 3/8"	34 x 1/8"	14	37	0,101	767205 41400	767205 61400
20 x 3/8"	44 x 1/6"	14	39	0,192	767205 41900	767205 61900
20 x 1/2"	44 x 1/6"	15	40	0,180	767205 42000	767205 62000
25 x 1/2"	52 x 1/6"	15	45	0,280	767205 42400	767205 62400
25 x 3/4"	52 x 1/6"	15	45	0,270	767205 42600	767205 62600
32 x 3/4"	58 x 1/6"	15	45	0,360	767205 42900	767205 62900
32 x 1"	58 x 1/6"	16	46	0,355	767205 43000	767205 63000
40 x 1"	65 x 1/6"	16	46	0,450	767205 43200	767205 63200
40 1"1/4	65 x 1/6"	17	47	0,435	767205 43400	767205 63400
50 x 1"	78 x 1/6"	17	47	0,605	767205 43500	767205 63500
50 x 1"1/4	78 x 1/6"	17	47	0,600	767205 43600	767205 63600
50 x 1"1/2	78 x 1/6"	18	48	0,560	767205 43800	767205 63800
65 x 1"1/2	95 x 1/6"	18	50	0,920	767205 44300	767205 64300
65 x 2"	95 x 1/6"	20	52	0,915	767205 44400	767205 64400
80 x 2"1/2	110 x 1/4"	20	60	1,400	767205 44800	767205 64800
100 x 3"	130 x 1/4"	25	65	1,790	767205 45400	767205 65400



