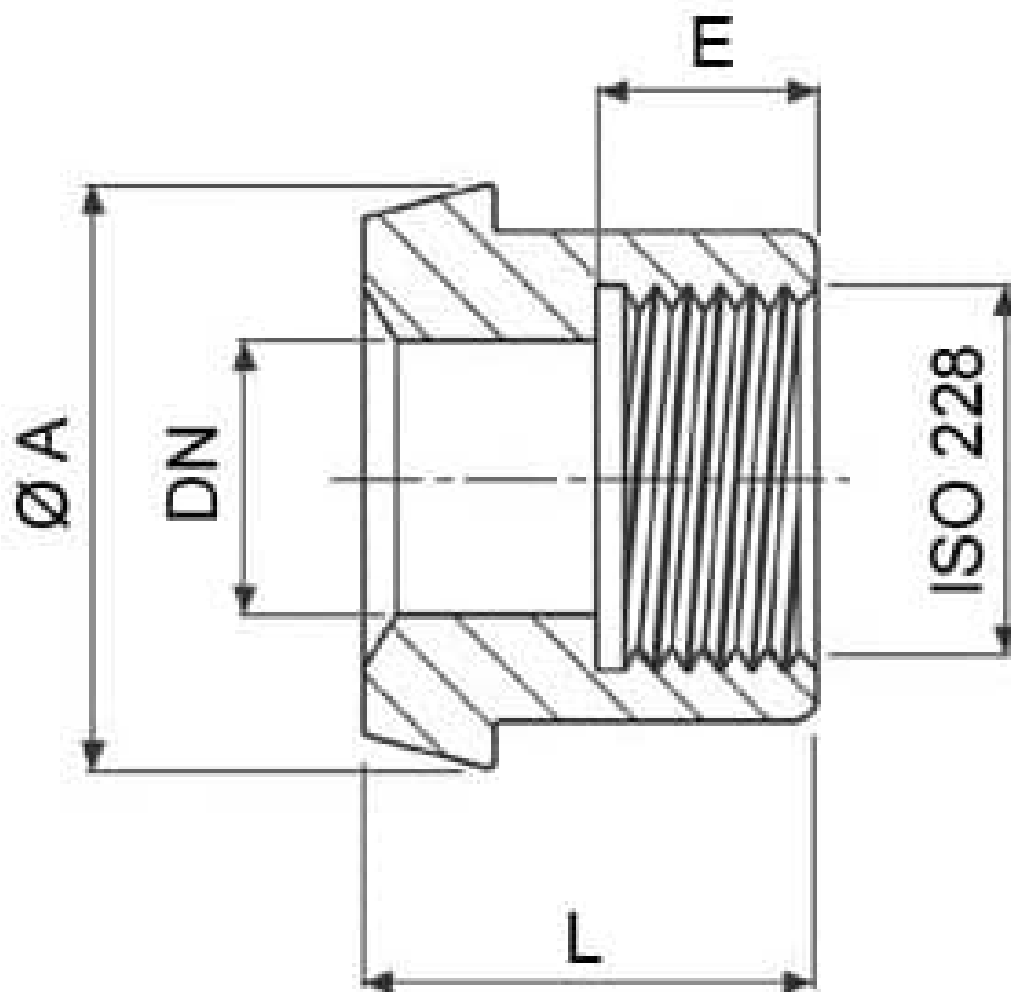


## 767100 DIN 11851 MALE FOR ISO 228 FEMALE CYLINDRICAL GAS REDUCTION



DIN 11851 Male for ISO 228 Female CYLINDRICAL GAS REDUCTION  
Material: Aisi 316L (1.4404)

On request:  
M.O.C.A. CE 1935/2004



DN x ISO 228	Ø A	E	L	Kg	CODE AISI 304L	CODE AISI 316L
10 x 1/4"	22	12	18	0,02	767100 40800	767100 40800
15 x 3/8"	28	13	20	0,04	767100 41400	767100 41400
20 x 1/2"	36	15	23	0,08	767100 42000	767100 42000
25 x 3/4"	44	17	28	0,14	767100 42600	767100 42600
32 x 1"	50	19	30	0,18	767100 43000	767100 43000
40 1"	56	19	30	0,22	767100 43300	767100 43300
40 x 1"1/4	56	20	30	0,22	767100 43400	767100 43400
50 x 3/4"	68	17	32	0,58	767100 43500	767100 43500
50 x 1"	68	19	32	0,54	767100 43600	767100 43600
50 x 1"1/2	68	20	32	0,44	767100 43800	767100 43800
65 2"	86	22	36	0,77	767100 44400	767100 44400
80 x 2"1/2	100	22	38	1,01	767100 44800	767100 44800
100 x 3"	121	24	41	1,76	767100 45400	767100 45400



