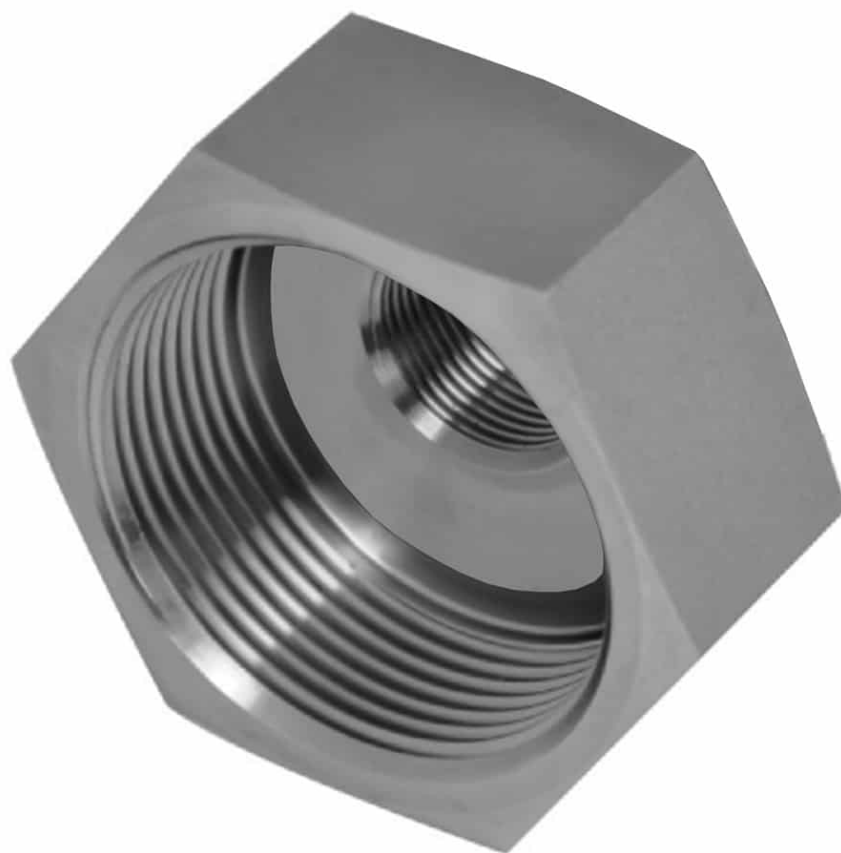


767035 FEMALE FOR ISO 228 FEMALE CYLINDRICAL GAS REDUCTION

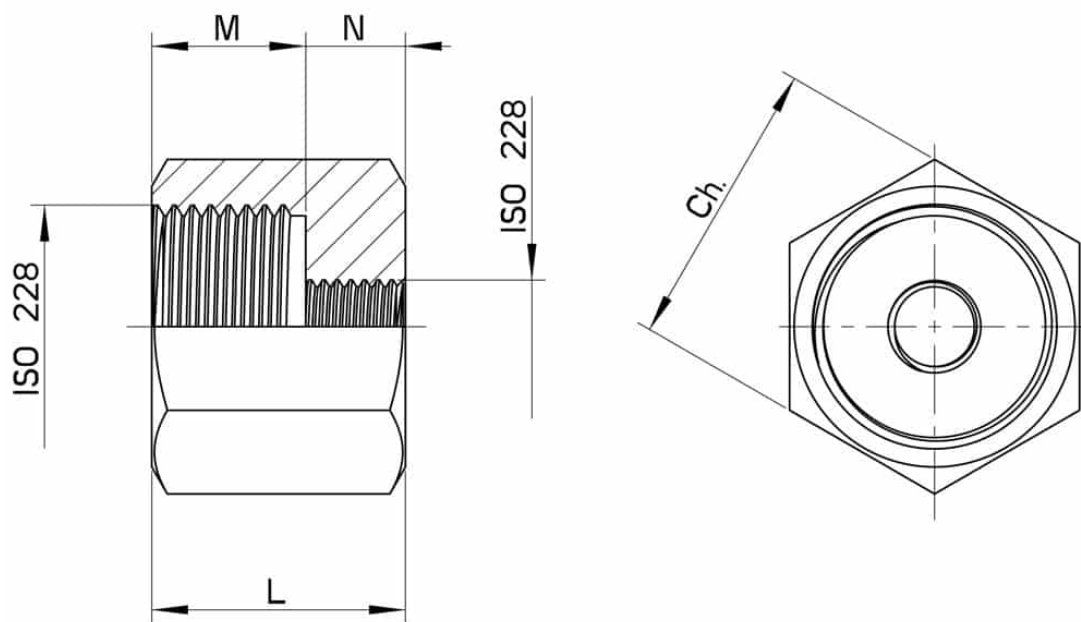


Female for ISO 228 Female CYLINDRICAL GAS REDUCTION

Material: Aisi 316L (1.4404)

On request:

M.O.C.A. CE 1935/2004



| ISO 228 F/F | M | N | Ch | L | Kg | CODE AISI 316L |
|-------------|----|----|----|----|-------|----------------|
| 3/8" x 1/4" | 17 | 13 | 22 | 30 | 0,062 | 767035 61500 |
| 1/2" x 1/4" | 17 | 13 | 27 | 30 | 0,098 | 767035 62100 |
| 1/2" x 3/8" | 17 | 15 | 27 | 32 | 0,098 | 767035 62200 |
| 3/4" x 1/8" | 17 | 11 | 32 | 28 | 0,125 | 767035 63200 |
| 3/4" x 1/2" | 18 | 19 | 32 | 37 | 0,145 | 767035 63400 |
| 1" x 3/4" | 18 | 17 | 41 | 40 | 0,265 | 767035 64100 |
| 1"1/2 x 1" | 20 | 19 | 55 | 42 | 0,479 | 767035 65700 |

