

767015 MALE FOR ISO 228 CYLINDRICAL THREAD FEMALE REDUCTION

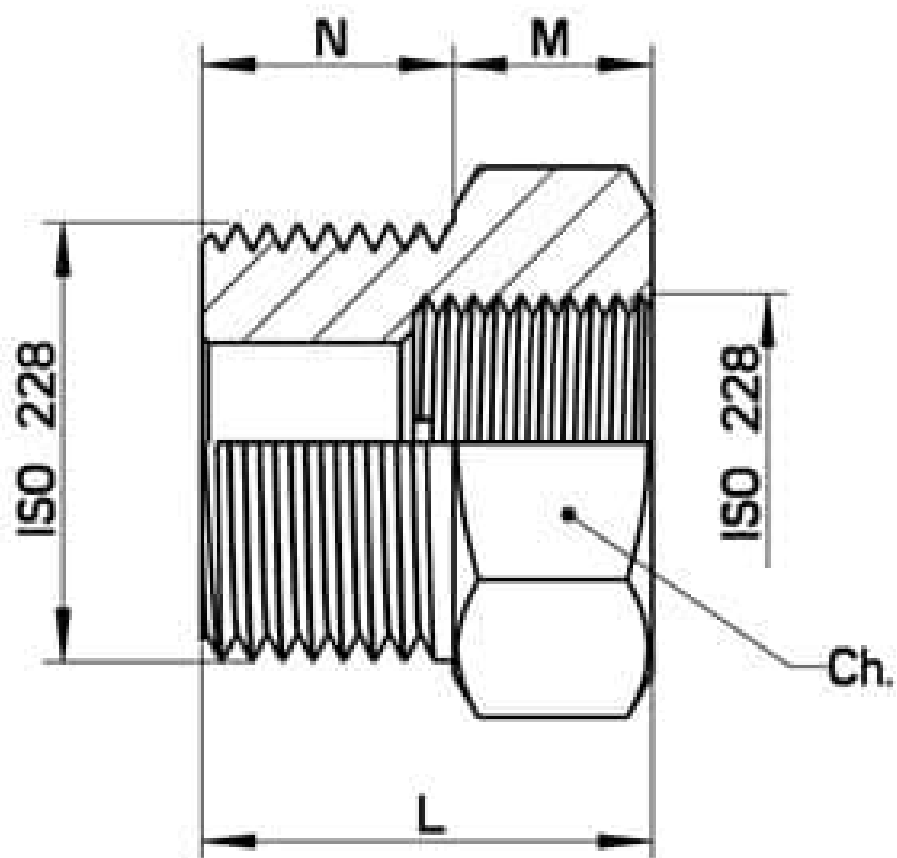


Male for ISO 228 CYLINDRICAL THREAD Female REDUCTION

Material: Aisi 316L (1.4404)

On request:

M.O.C.A. CE 1935/2004



ISO 228 M/F	N	M	Ch.	L	Kg	CODE AISI 316L
1/4" x 1/8"	12	10	17	19	0,018	767015 60400
3/8" x 1/4"	13	13	22	23	0,030	767015 60800
1/2" x 1/8"	14	10	27	25	0,057	767015 61200
1/2" x 1/4"	15	16	27	25	0,068	767015 61300
1/2" x 3/8"	15	16	27	25	0,062	767015 61400
3/4" x 1/4"	17	16	32	27	0,120	767015 61700
3/4" x 3/8"	17	17	32	27	0,110	767015 61800
3/4" x 1/2"	17	18	32	27	0,088	767015 61900
1" x 1/4"	19	16	36	31	0,215	767015 62200
1" x 3/8"	19	17	36	31	0,195	767015 62300
1" x 1/2"	19	18	36	34	0,198	767015 62400
1" x 3/4"	19	19	36	34	0,140	767015 62500
1"1/4 x 1/2"	20	18	46	35	0,363	767015 63000
1"1/4 x 3/4"	20	19	46	35	0,310	767015 63100
1"1/4 x 1"	20	20	46	35	0,245	767015 63200
1"1/2 x 1"	20	20	50	35	0,305	767015 63900
1"1/2 x 1"1/4	20	20	50	35	0,196	767015 64000
2" x 1/2"	23	18	66	35	0,790	767015 64500
2" x 3/4"	23	19	66	35	0,740	767015 64600
2"1/2 x 1"1/2	24	22	76	39	0,950	767015 65800
2"1/2 x 2"	24	22	76	39	0,690	767015 65900
3" x 2"	25	25	90	40	1,128	767015 66900
3" x 2"1/2	25	25	90	40	0,702	767015 67000
4" x 2"	32	22	120	57	3,350	767015 68000

