

766018 ISO 7 TAPARED THREAD MALE NIPPLE

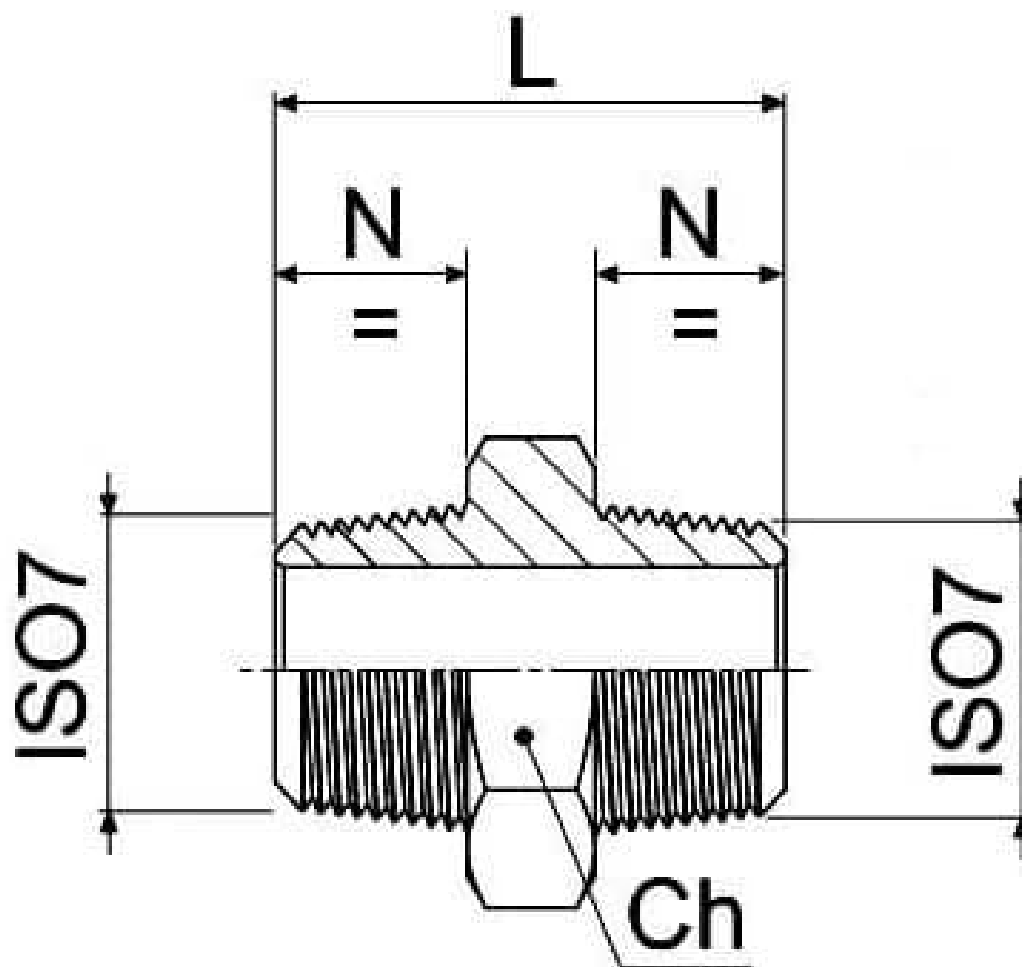


ISO 7 TAPARED THREAD Male Nipple

Material: Aisi 316L (1.4404)

On request:

M.O.C.A. CE 1935/2004



ISO 7	N	Ch	L	Kg	CODE AISI 316L
1/8"	8	14	22	0,012	766018 60200
1/4"	12	14	33	0,021	766018 60400
3/8"	13	17	34	0,037	766018 60800
1/2"	15	22	39	0,074	766018 61400
3/4"	17	27	44	0,105	766018 62000
1"	19	36	50	0,185	766018 62600
1"1/4	21	46	56	0,296	766018 63000
1"1/2	22	50	58	0,278	766018 63400
2"	25	65	66	0,552	766018 63800
2" 1/2	30	80	80	0,899	766018 64400

