

765901 DIN 11851 THREE WORKPIECES TO WELD



DIN 11851 Three Workpieces TO WELD

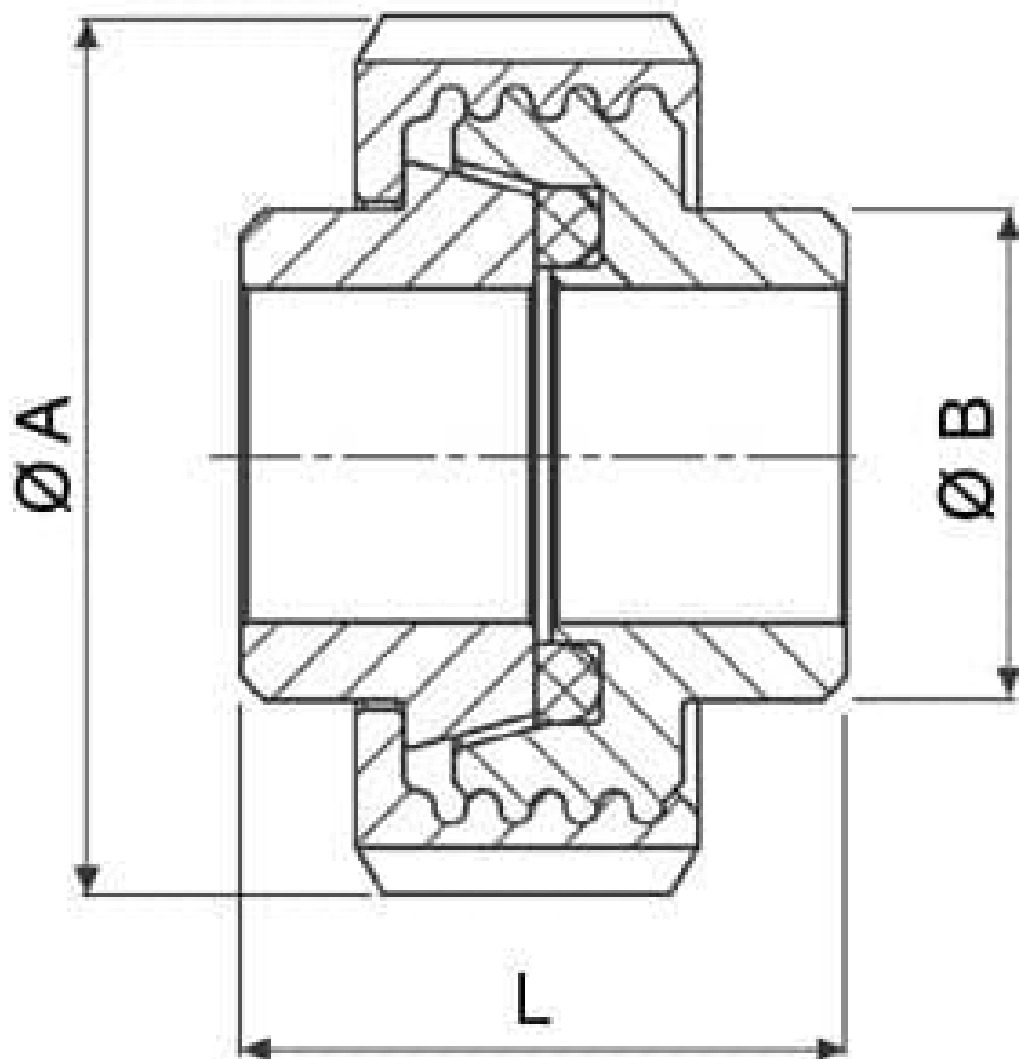
Material: AISI 316L (1.4404)

Seal in NBR

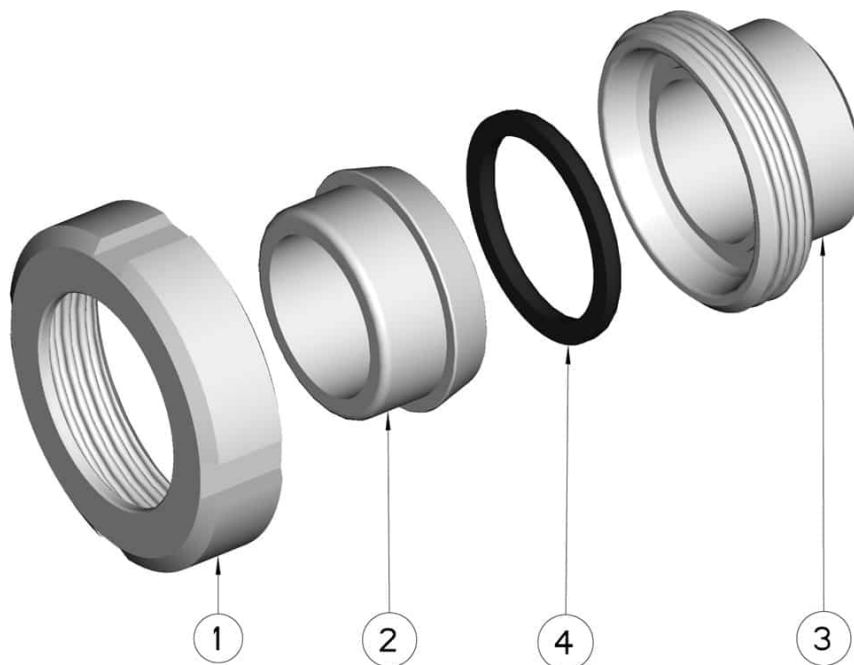
Stop Ring in AISI 304L (1.4307)

On request:

M.O.C.A. CE 1935/2004



DN	Ø A	Ø B	L	Kg	CODE AISI 304L	CODE AISI 316L
10	38	18	34	0,13	765901 408N0	765901 608N0
15	44	24	35	0,18	765901 414N0	765901 614N0
20	54	30	38	0,30	765901 420N0	765901 620N0
25	63	35	44	0,43	765901 426N0	765901 626N0
32	70	41	50	0,52	765901 430N0	765901 630N0
40	78	48	53	0,63	765901 434N0	765901 634N0
50	92	61	57	0,90	765901 438N0	765901 638N0
60	99	68	59	1,17	765901 440N0	765901 640N0
65	112	79	65	1,54	765901 444N0	765901 644N0
80	127	93	74	2,31	765901 448N0	765901 648N0
90	138	103	71	-	765901 450N0	765901 650N0
100	148	114	89	3,18	765901 454N0	765901 654N0
125	178	137	69	-	765901 458N0	765901 658N0
150	210	162	75	-	765901 462N0	765901 662N0



Position	Denomination	PEZZI	MATERIAL
1	Stop ring	1	AISI 304L
2	Manicotto maschio	1	AISI 316L
3	Manicotto femmina	1	AISI 316L
4	Seal	1	NBR

