

765850 ISO 228 FEMALE/FEMALE THREE WORKPIECES JOINT (CONIC SEAL)



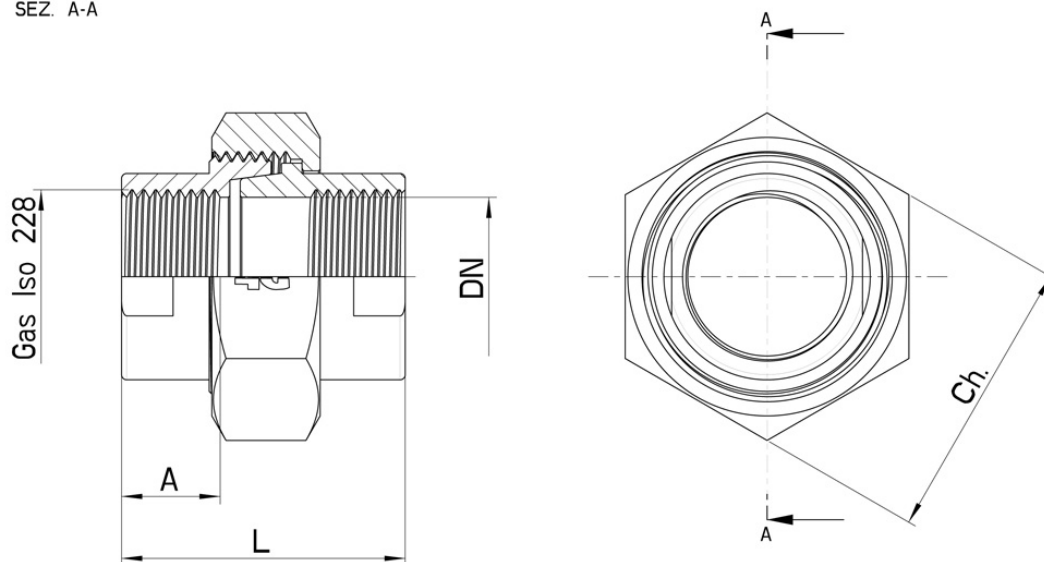
ISO 228 Female/Female THREE WORKPIECES joint (CONIC SEAL)

Material: Aisi 316L (1.4404)

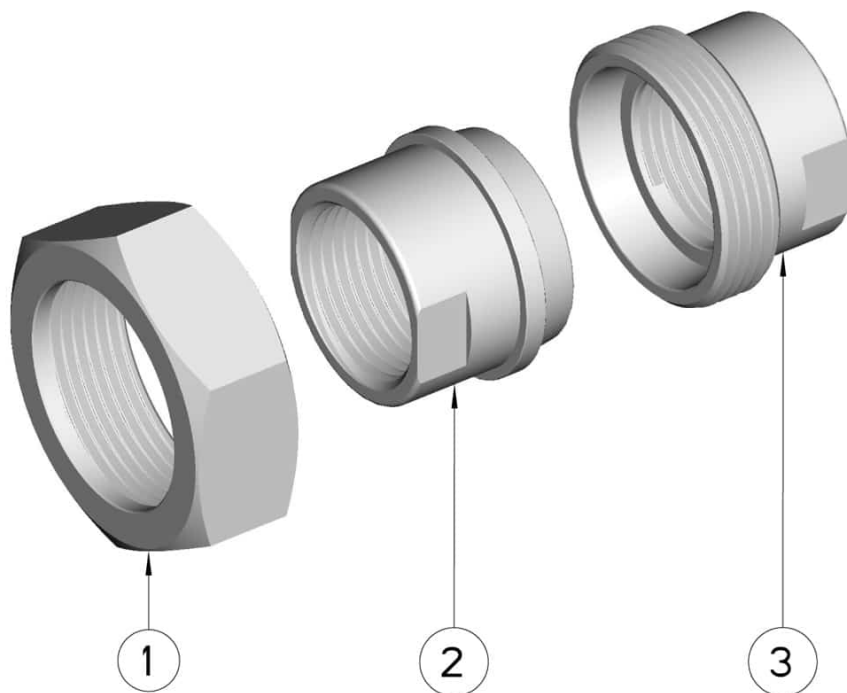
On request:

M.O.C.A. CE 1935/2004

SEZ. A-A



GAS ISO 228	DN	A	Ch.	L	Kg	CODE AISI 316L
1/8"	8	13	32	40	0,145	765850 60200
1/4"	10	14	32	40	0,136	765850 60400
3/8"	15	14	36	41	0,171	765850 60800
1/2"	19	17	41 - 46	45	0,223	765850 61400
3/4"	24	18	46 - 50	50	0,285	765850 62000
1"	30	19	55	55	0,429	765850 62600
1" 1/4	39	22	65	60	0,623	765850 63000
1" 1/2	45	22	70	64	0,702	765850 63400
2"	57	25	80	75	1,002	765850 63800



Position	Denomination	PEZZI	MATERIAL
1	Stop ring	1	AISI 304L
2	Manicotto maschio	1	AISI 316L
3	Manicotto femmina	1	AISI 316L

