

## 765020 MALE NPT NIPPLE X FEMALE ISO 228 CYLINDRICAL THREAD

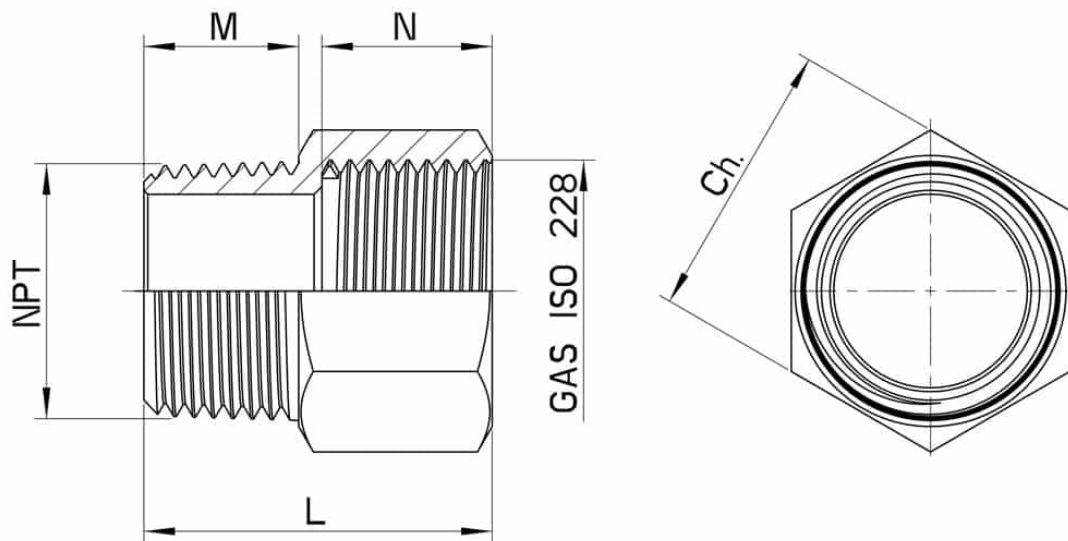


Male NPT Nipple x Female ISO 228 CYLINDRICAL THREAD

Material: AISI 316L (1.4404)

On request:

M.O.C.A. CE 1935/2004



---

NPT x ISO 228	Ch.	M	N	L	Kg	CODE AISI 316L
1/8"	14	10	12	25	0,017	765020 60200
1/4"	19	12	12	29	0,036	765020 60600
3/8"	22	15	15	33	0,032	765020 61100
1/2"	27	18	17	38	0,091	765020 61700
3/4"	32	18	18	40	0,118	765020 62300
1"	36	20	22	45	0,112	765020 63300
1"1/4	46	22	20	47	0,225	765020 64400
1"1/2	55	23	20	48	0,325	765020 65400
2"	70	25	23	51	0,560	765020 66400
2"1/2	85	30	23	58	0,728	765020 67400



