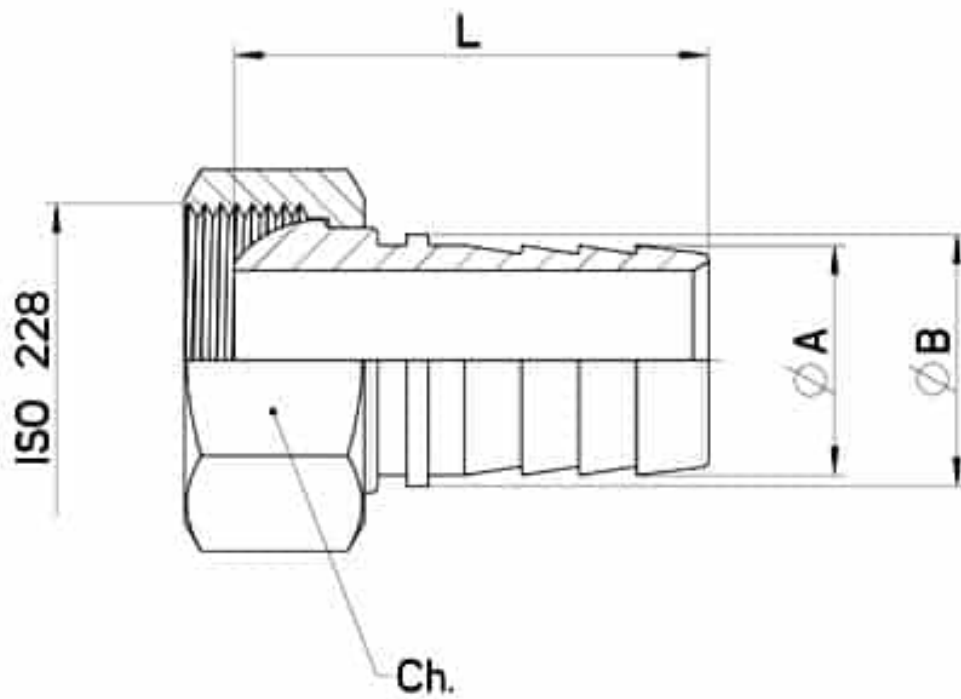


## 763298 ISO 228 FEMALE OGIVE SMOOTH HOSE CONNECTOR WITH THREADED NUT FOR PTFE HOSE



ISO 228 Female OGIVE SMOOTH Hose Connector with threaded nut for PTFE hose  
Material: AISI 304L (1.4307)

On request:  
M.O.C.A. CE 1935/2004



---

ISO 228	Ø A	Ø B	L	Ch	Kg	CODE AISI 304L
1" 1/4	32	35	66	46	0,31	763298 43000
1" 1/2	40	42,5	73	55	0,36	763298 43400
2"	50	54	80	65	0,74	763298 43800
2" 1/2	60	60	84	85	1,30	763298 44300
3"	75	77	111	100	1,90	763298 44600
3"	80	80	102	100	2,14	763298 44800
4"	100	106	122	125	2,72	763298 46200



