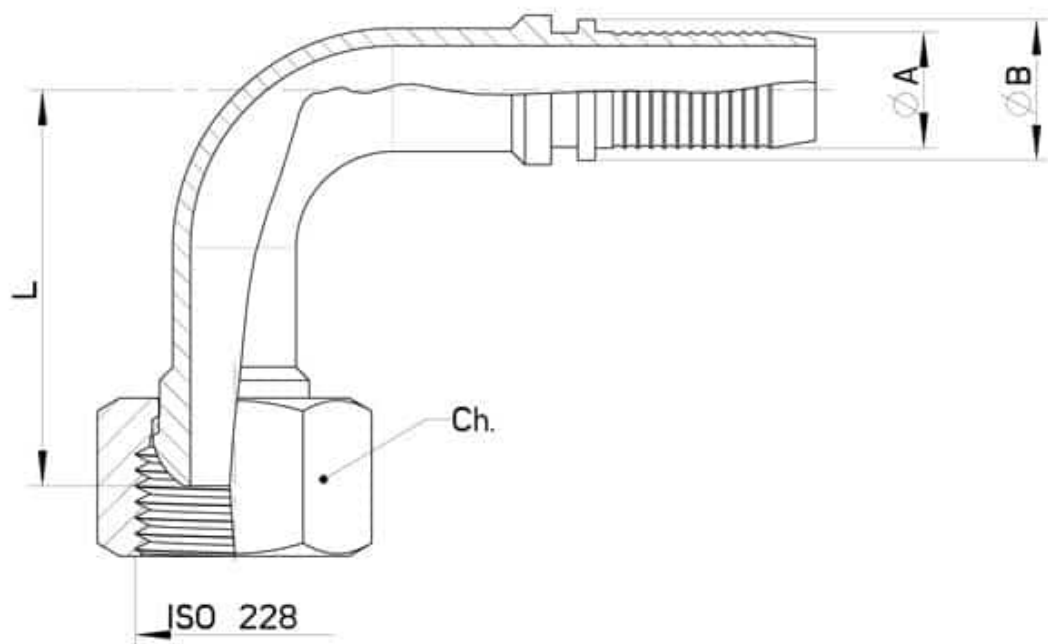


763102 ISO 228 FEMALE OGIVE HOSE CONNECTOR WITH THREADED 90° NUT FOR PTFE HOSE



ISO 228 Female OGIVE hose connector with threaded 90° nut for PTFE hose
Materiale: AISI 316L (1.4404)

On request:
M.O.C.A. CE 1935/2004



ISO 228	Ø A	Ø B	L	Ch	Kg	CODE AISI 316L
1/8"	5	7	21	14	0,02	763102 60200
1/4"	6,7	8,5	30	19	0,04	763102 60300
3/8"	9,8	11,5	37	22	0,07	763102 60700
1/2"	13,2	16	45	27	0,11	763102 61100
3/4"	19,6	21,5	64	32	0,19	763102 61700
1"	26	28	81	41	0,36	763102 62300

