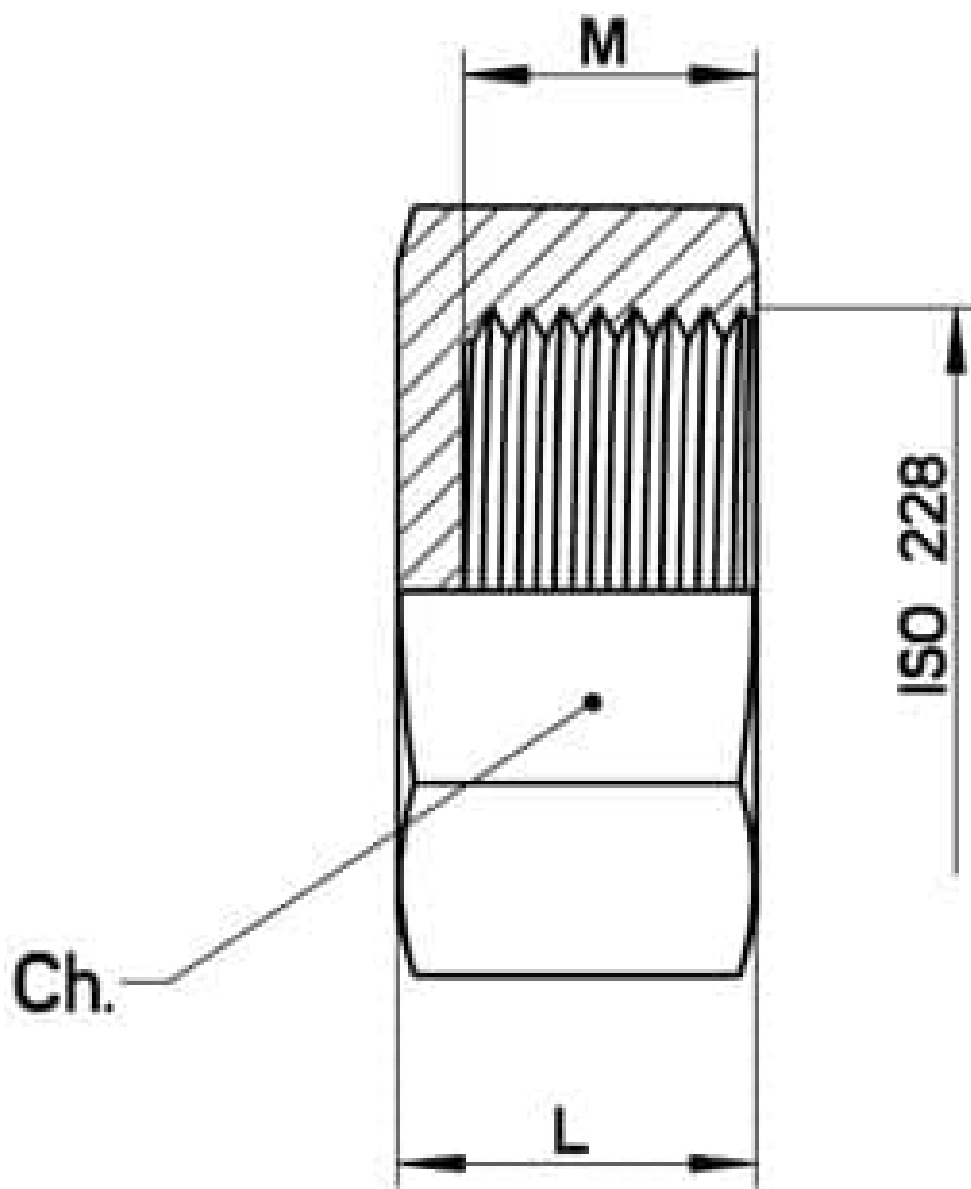


762133 ISO 228 FEMALE PLUG



ISO228 Female Plug
Material: Aisi 316L (1.4404)

On request:
M.O.C.A. CE 1935/2004



GAS ISO228	CH	M	L	Kg	CODE AISI 316L
1/4"	19	12	17	0,029	762133 60400
3/8"	22	12	17	0.035	762133 60800
1/2"	27	15	19	0.058	762133 61400
3/4"	32	16	20	0,075	762133 62000
1"	41	17	22	0,140	762133 62600
1"1/4	50	18	24	0,210	762133 63000
1"1/2	55	19	25	0,240	762133 63400
2"	70	20	26	0,545	762133 63800
2" 1/2	85	22	28	0,660	762133 64400
3"	106	22	30	1,200	762133 64800
4"	124	25	32	1,337	762133 65400

