

790712_PNEUMATIC AND ELECTROPNEUMATIC POSITIONER



Single & double-acting Positioner, input signal $4\pm 20\text{mA}$ or $0.2\pm 1\text{bar}$ for proportional control of rotary actuators.

The positioner operates on the force-balance principle by comparing the standard signal transmitted from a pneumatic or an electronic controller device and the angular rotation of the stem, and conveys a positioning amplified pressure to the valve actuator.

STANDARD MATERIALS:

Cover: Polycarbonate.

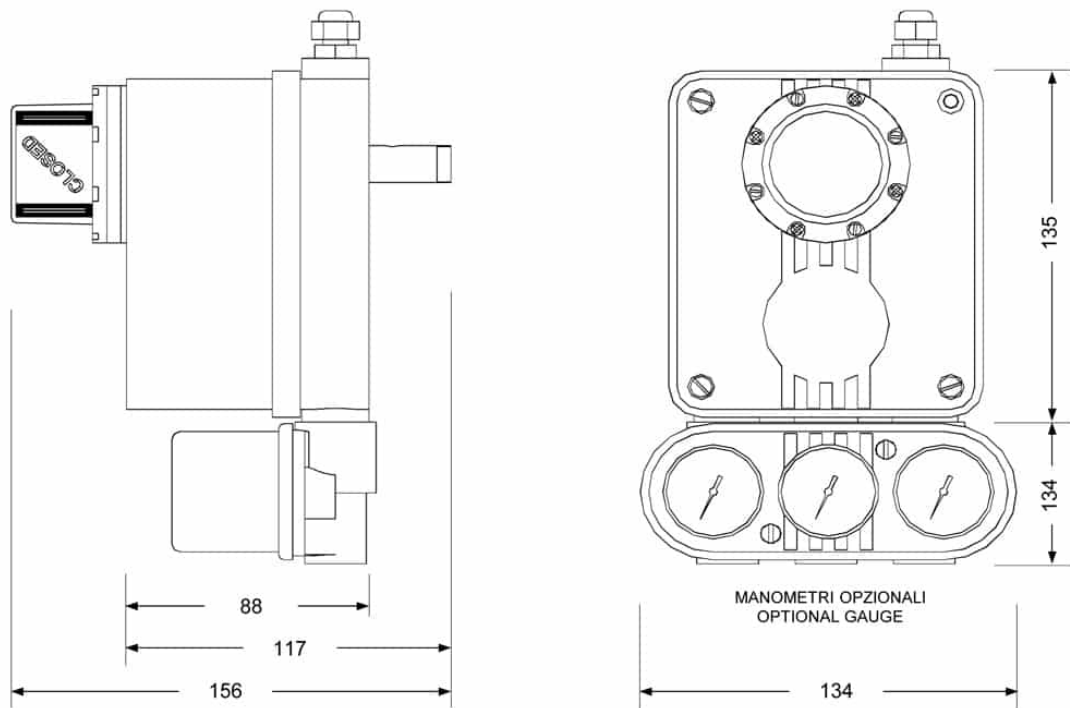
Body: Die cast aluminium with anti corrosive paint.

Position indicator: Antistatic plastic.

Slide valve (Box): Copper alloy.

Slide valve (Pivot): Stainless steel.

Receiver membrane: Nitrile rubber.



TYPE	SEGNALE DI COMANDO	ATEX Identification	Kg	CODE
PNEUMATICO	3÷15 psi	-	2,4	790712 72200
PNEUMATICO	3÷15 psi	Ex-ia II 2 G-D	2,4	790712 72800
ELETTROPNEUMATICO	4÷20mA	-	2,4	790712 72400
ELETTROPNEUMATICO	4÷20mA	Ex-ia II 2 G-D	2,4	790712 73000

