

## 790710\_SWITCH BOX\_MEDIUM



Aluminum switch boxes painted with epox powder black, supplied complete with universal adjustable brackets for assembly on our full range of actuators (L=30×80/130-H=20/30).

This device is particularly suitable for monitoring the position of each valve, even at long distances, it can contain mechanical or proximity limit switches.

Tridimensional position indicator yellow/red and 8 wire points standard (two free for eventual electrovalve attachment in box).

There is plenty of room to facilitate all wiring procedures, on installation.

Screws on the box cover are self-locking and unlosable, can be easy to set without tools, don't need any further adjustment after initial setting.

Enclosure Classification ATEX Zone 1-21

Certification:

II 2G Ex db IIC T6 Gb

II 2D Ex tb IIIC T85°C Db

Protection grade: IP66

In according to: SIL 3 Capable according to IEC 61508:2010

Nr. 2 M20x1.5 electrical connections

Terminal strip: 8 places

Position indicator: 0° ÷ 90°

Open / Closed: Yellow / Red

Bracket: ST33

STANDARD MATERIALS:

Cover: Aluminium alloy.

Body: Aluminium alloy.

Shaft: Stainless steel.

Indicator cover: Polycarbonate.

Indicatore: ABS, polycarbonate.

Limit switch: - .

Terminal strip: Polycarbonate, brass, stainless steel.

Cam: Polycarbonate.

Spring: Stainless steel.

Cover bolts: Stainless steel.

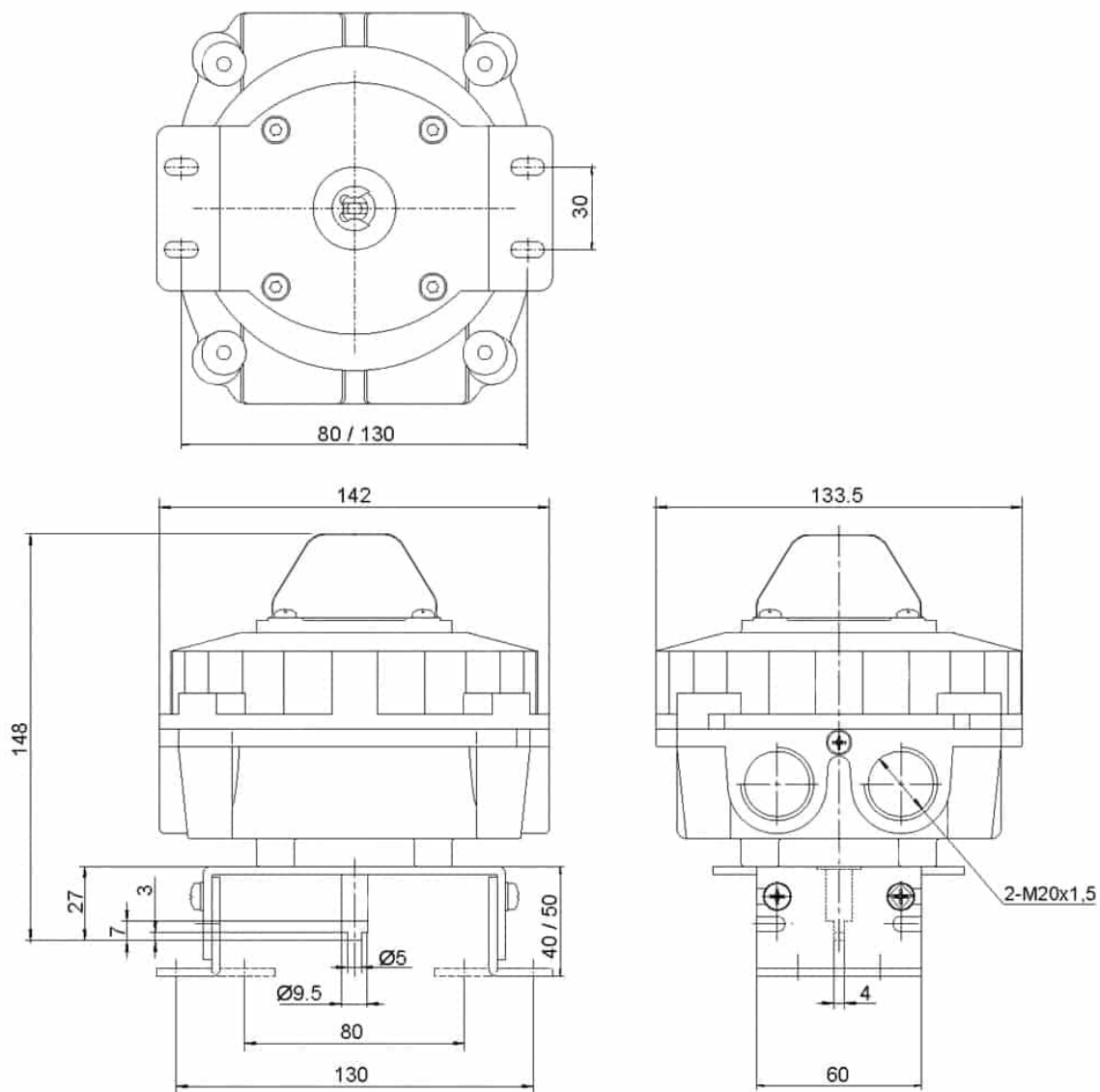
O-ring(Shaft): NBR.

O-ring(Body): NBR.

O-ring(Indicator): NBR.

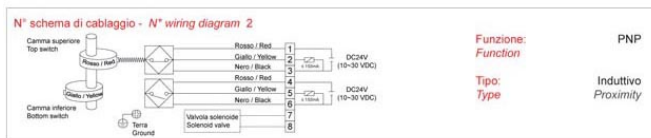
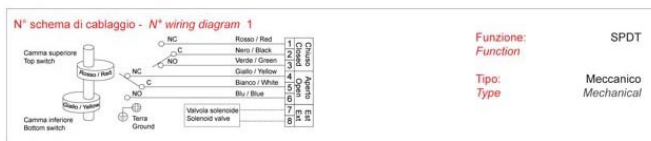
Bushing: Bronze.

Earthing screw: Stainless steel.



TIPO FINECORSIA	PRODUTTORE DEL FINECORSIA	LIMIT SWITCH CODE	ATEX IDENTIFICATION	CONTACTS	FUNCTION	N° WIRES	VOLTAGE	INTENS	FREQUENZA DI COMMUTAZIONE	TEMPERATURE	N° SCHEMA DI CABLAGGIO	N° OF LIMIT SWITCH	CODE
MECCANICO MECHANIC	Honeywell	V15T16SZ200A05	II 2G Ex db IIC T6 Gb II 2D Ex tb IIIC T85°C Db	Argentati Silver	SPDT	3	250 VAC	16 A	-	-20°C + +50°C	1	2	790710 89000
INDUTTIVO INDUCTIVE	P+F	NBB2-V3-E2	II 2G Ex db IIC T6 Gb II 2D Ex tb IIIC T85°C Db	-	PNP	3	10 + 30 VDC	0 + 100 mA	0 + 1000 Hz	-20°C + +50°C	2	2	790710 89400

**Schemi di cablaggio - Wiring diagrams**



**KIT VISUALIZZATORE  
VIEWER KIT**

**Standard**



**a richiesta  
on request**



