

790710_SWITCH BOX_STANDARD



Aluminum switch boxes painted with epox powder black, supplied complete with universal adjustable brackets for assembly on our full range of actuators (L=30×80/130-H=20/30). This device is particularly suitable for monitoring the position of each valve, even at long distances, it can contain mechanical or proximity limit switches. Tridimensional position indicator yellow/red and 8 wire points standard (two free for eventual electrovalve attachment in box). There is plenty of room to facilitate all wiring procedures, on installation. Screws on the box cover are self-locking and unlosable, can be easy to set without tools, don't need any further adjustment after initial setting.

Enclosure Classification ATEX Zone 2-22
Protection grade: IP67
In according to: SIL 3 Capable according to IEC 61508:2010
Nr. 1 electrical connection with cable gland M20x1.5
Terminal strip: 8 posti
Position indicator: 0° ÷ 90°
Open / Closed: Yellow / Red

STANDARD MATERIALS:
Cover: Aluminium alloy.
Body: Aluminium alloy.
Shaft: Stainless steel.
Indicator cover: Polycarbonate.
Indicator: ABS, polycarbonate.



Limit switch: - .

Terminal strip: Polycarbonate, brass, stainless steel.

Cam: Polycarbonate.

Spring: Stainless steel.

Cover bolts: Stainless steel.

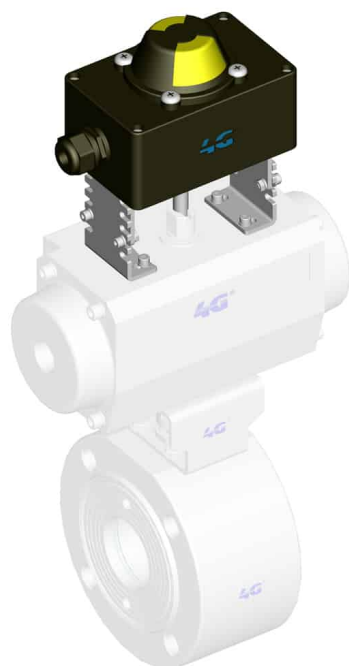
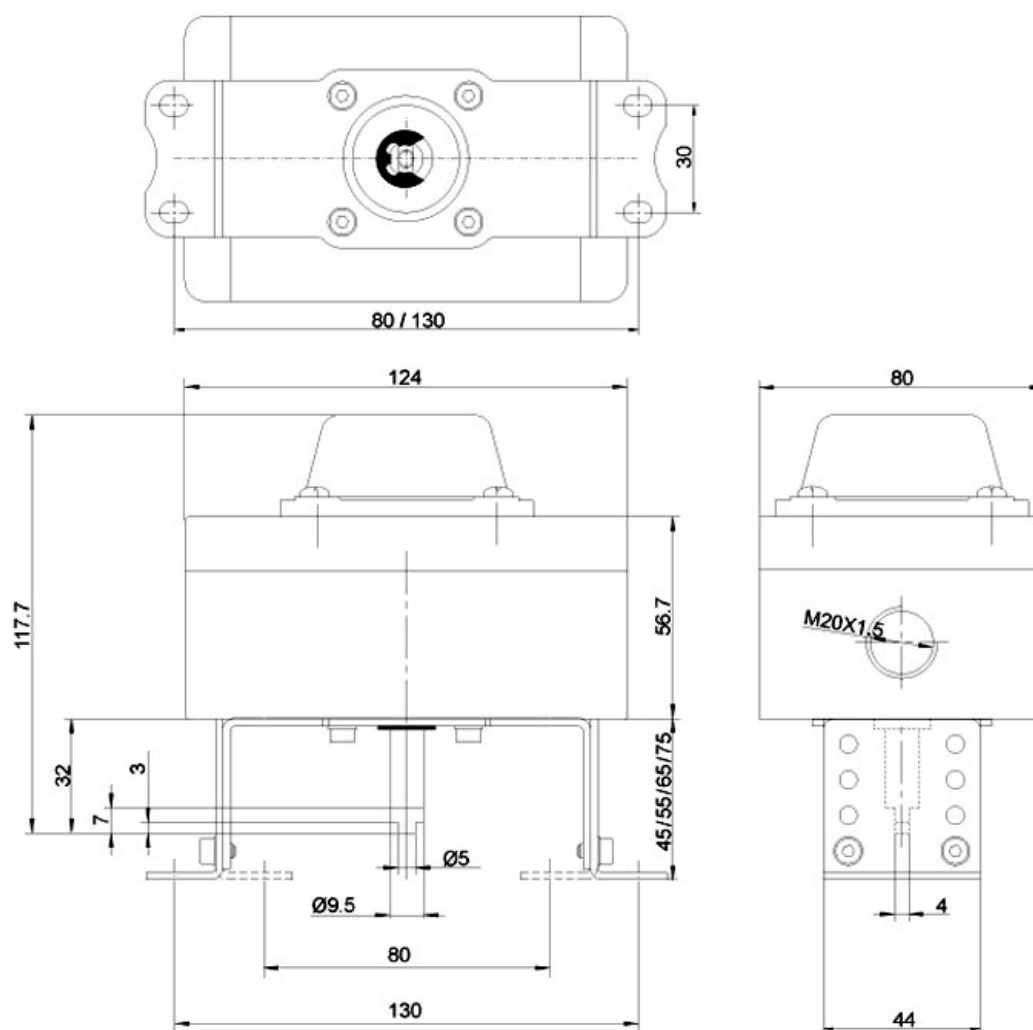
O-ring(Shaft): NBR.

O-ring(Body): NBR.

O-ring(Indicator): NBR.

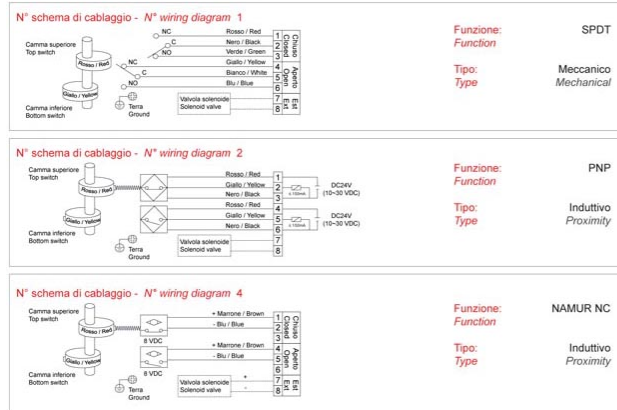
Bushing: Bronze.

Earthing screw: Stainless steel.



LIMIT SWITCH Type	PRODUTTORE DEL FINECORSO CERTIFICAZIONE	Limit switch CODE	ATEX Identification	Contacts	Function	N° WIRES	Voltage	INTENSITA'	Switching frequency	Temperature	N° Wiring diagram	N° of limit switch	CODE
MECCANICO MECHANIC	Honeywell UL-CSA	ZM50G10B01	-	Argentati Silver	SPDT	3	0 ÷ 250 V AC-DC	5 A	-	-25°C ÷ +80°C	1	2	790710 84300
MECCANICO MECHANIC	Honeywell UL-CSA	ZM10G10B01	II 3G Ex nA IIC T6X II 3D Ex tD A22 IP67 T80°C X	Oro Gold	SPDT	3	0 ÷ 125 VAC	0,1 A	-	-25°C ÷ +80°C	1	2	790710 84400
INDUTTIVO INDUCTIVE	P+F UL- CSA	NBB2-V3-E2	-	-	PNP	3	10 ÷ 30 VDC	0 ÷ 100 mA	0 ÷ 1000 Hz	-25°C ÷ +70°C	2	2	790710 84600
INDUTTIVO INDUCTIVE	P+F UL- CSA	NCB2-V3-N0	II 1G Ex ia IIC T6...T1Ga II 1D Ex iaD 20 T108°C	-	NAMUR NC	2	8 VDC	-	0 ÷ 2000 Hz	-25°C ÷ +100°C	4	2	790710 84700

Schemi di cablaggio - Wiring diagrams



**KIT VISUALIZZATORE
VIEWER KIT**

Standard



**a richiesta
on request**



