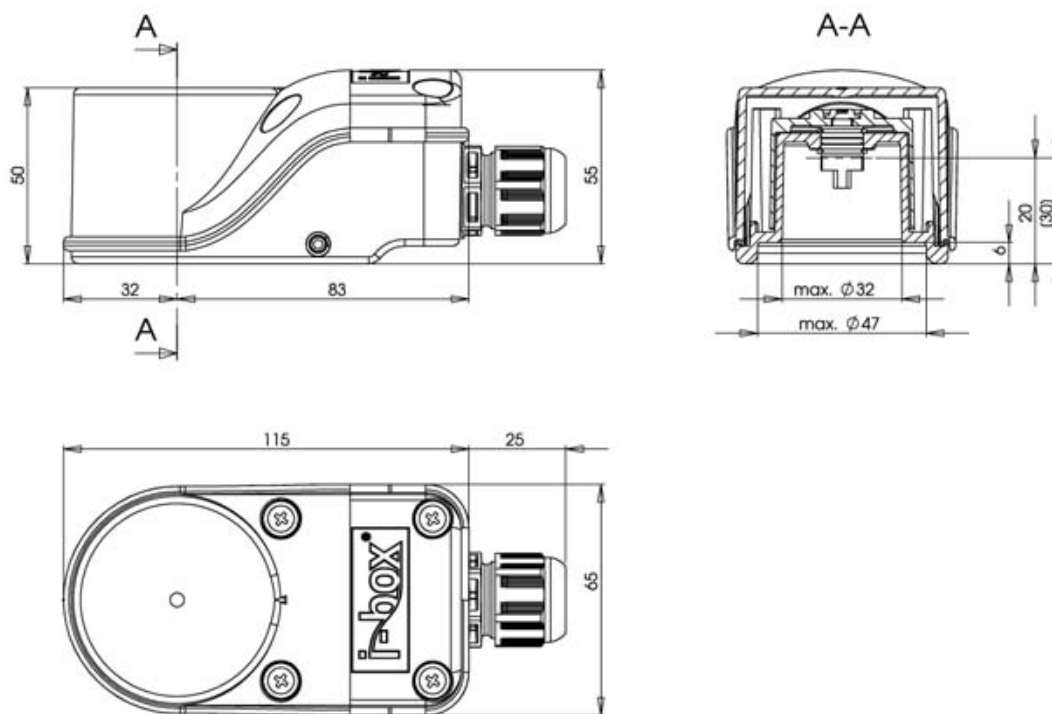


790710_SWITCH BOX_IBOX

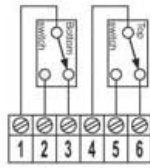


- Very compact limit switch box polyamide PA6
 - Transparent polycarbonate cover with integrated large OPEN-CLOSED indicator
 - Direct mounting without mounting bracket on actuators according to VDI/VDE 3845: Hole spacing: 80 x 30mm (optional: 130x30mm, 50x25mm - with IMBHV bracket) Shaft heights: 20 or 30mm (optional: 40 and 50mm - with IMBHV bracket)
 - Easy and time-saving fastening system
 - Enclosure IP66 + IP67 according to DIN EN 60529 (tested by external test laboratory)
 - Cable gland M20x1,5 black (for cable Ø 6-12mm)
 - Sealings TPE and NBR, Screws AISI 304, Stainless steel Shaft AISI 303
 - Other colours of casing available on request
 - Application: Standard applications without explosive atmosphere.
- 1-2 mechanical switches 1-2 proximity sensors in V3 design

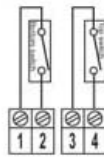


TYPE	PRODUTTORE	TIPO SWITCH	VOLTAGGIO	CORR. D'ESERC.	CORR. A VUOTO ALIMEN.	Pointer	CORRENTE MASSIMA	Function	Contacts	TEMP. / AMB. TEMP.	GRADO DI PROT. CUSTODIA	MARCATURA ATEX	CERTIFICATI ATEX / IECEx	LIVELLO INTEGRITA' SICUREZZA	ZONE ATEX	CERT. CE	GRADO DI PROT. ATEX	CODE
MECCANICO MECHANIC	ZF CHERRY	D44X	24 - 250V AC/DC	0.1 - 10A	-	OPEN / CLOSED GIALLO / NERO - YELLOW BLACK	AC: 250V 10A DC: 24V 2,5A	AC: 250V 10A DC: 24V 2,5A	ARGENTO SILVER	-25°C ... +80°C	IP66 / IP67	-	-	SIL 1-3 (IEC 61508:2010)	-	SI	-	790710 77000
MECCANICO MECHANIC	ZF CHERRY	D41X	8,2V DC	15mA	-	OPEN / CLOSED GIALLO / NERO - YELLOW BLACK	15mA	SPST N.O	ORO GOLD	-25°C ... +70°C	IP66 / IP67	II 2G Ex Ia IIB T6 Gb II 2D Ex Ia IIIC T80°C Db	EPS 14 ATEX 1641X IECEx EPS 14.0015X	SIL 1-3 (IEC 61508:2010)	ZONA 1, ZONA 21 ZONE 1, ZONE 21	SI	Ex Ia	790710 77100
INDUTTIVO INDUCTIVE	P+F	NBB2-V3-E2 (PNP N.O.) - 3 fili	10 - 30V DC	0-100 mA / 1000Hz	15 mA	OPEN/CLOSED - sensori con LED giallo - sensors with LED yellow	100 mA	PNP N.O	-	-25°C ... +80°C	IP66 / IP67	-	-	SIL 1-3 (IEC 61508:2010)	-	SI	-	790710 77400
INDUTTIVO INDUCTIVE	P+F	NJ2-V3-N (N.C.) 2 fili	8,2V DC	≤ 1 mA ≥ 3 mA	-	OPEN / CLOSED GIALLO / NERO - YELLOW BLACK	≤ 1 mA	NAMUR N.C.	-	-25°C / +70°C	IP66 / IP67	II 2G Ex Ia IIB T6 Gb II 2D Ex Ia IIIC T80°C Db	EPS 14 ATEX 1641X IECEx EPS 14.0015X	SIL 1-3 (IEC 61508:2010)	ZONA 1, ZONA 21 ZONE 1, ZONE 21	SI	Ex Ia	790710 77500

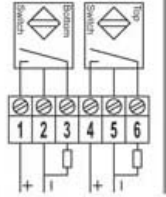
790710 77000



790710 77100



790710 77400



790710 77500

