

## 790710\_SWITCH BOX\_BIG



Aluminum switch boxes painted with epox powder black, supplied complete with universal adjustable brackets for assembly on our full range of actuators (L=30×80/130-H=20/30). This device is particularly suitable for monitoring the position of each valve, even at long distances, it can contain mechanical or proximity limit switches. Tridimensional position indicator yellow/red and 8 wire points standard (two free for eventual electrovalve attachment in box). There is plenty of room to facilitate all wiring procedures, on installation. Screws on the box cover are self-locking and unlosable, can easy to set without tools, don't need any further adjustment after initial setting.

Enclosure Classification ATEX Zone 1  
Certification:  
II2G Ex d IIB T6  
Protection grade: IP66  
In according to: SIL 3 Capable according to IEC 61508:2010  
Nr. 2 M20x1.5 electrical connections  
Terminal strip: 8 places  
Position indicator: 0° ÷ 90°  
Open / Closed: Yellow / Red

**STANDARD MATERIALS:**  
Cover: Aluminium alloy.  
Body: Aluminium alloy.  
Shaft: Stainless steel.

Indicator cover: Polycarbonate.

Indicator: ABS, polycarbonate.

---

Limit switch: - .

Terminal strip: Polycarbonate, brass, stainless steel.

Cam: Polycarbonate.

Spring: Stainless steel.

Cover bolts: Stainless steel.

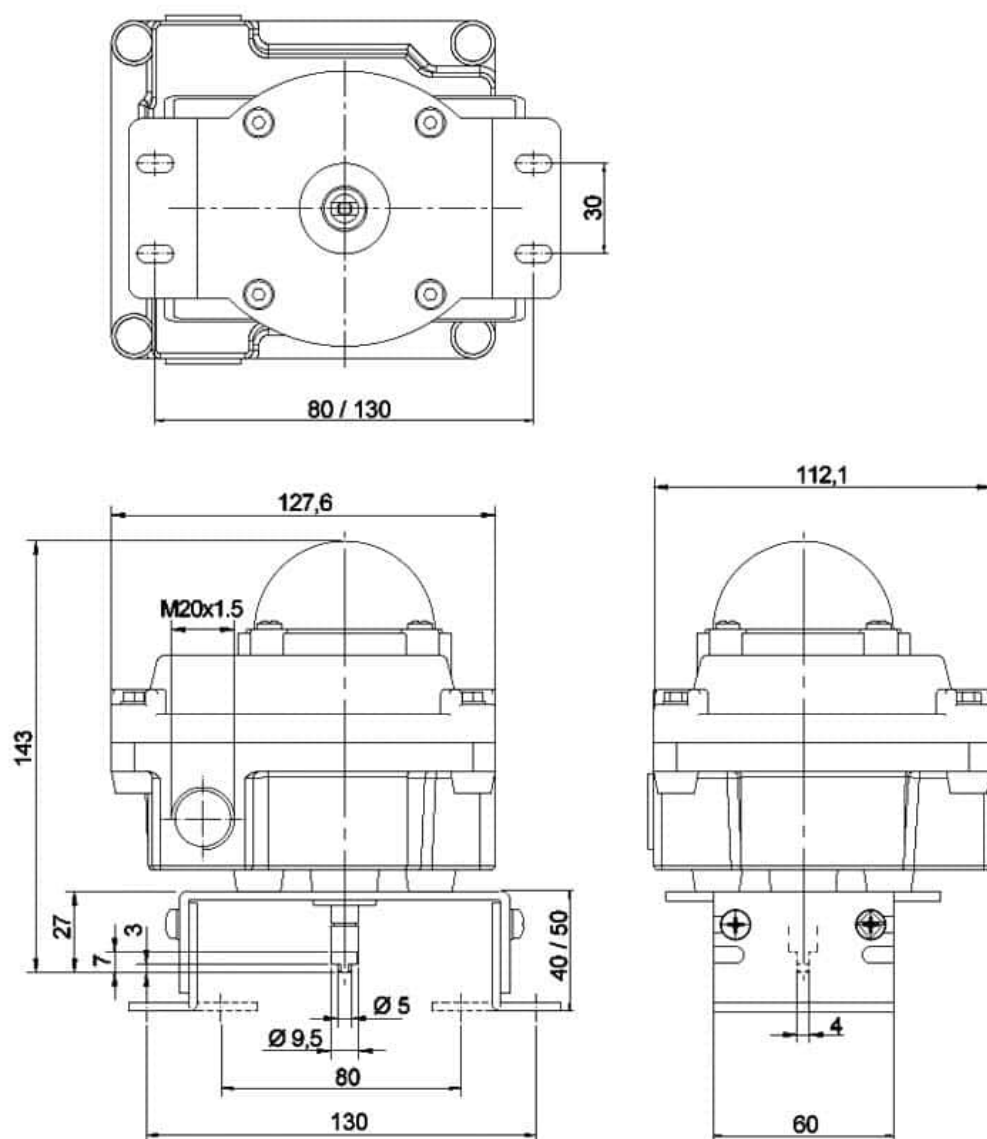
O-ring(Shaft): NBR.

O-ring(Body): NBR.

O-ring(Indicator): NBR.

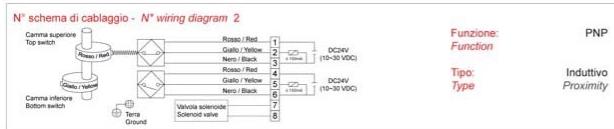
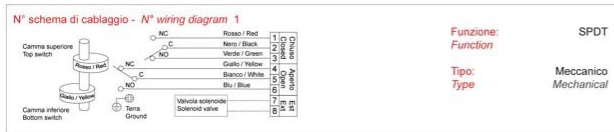
Bushing: Bronze.

Earthing screw: Stainless steel.



TIPO FINECORSO	PRODUTTORE DEL FINECORSO	Limit switch CODE	ATEX Identification	Contacts	Function	N° WIRES	Voltage	INTENS	FREQUENZA DI COMMUTAZIONE	Temperature	N° SCHEMA DI CABLAGGIO	N° of limit switch	CODE
MECCANICO MECHANIC	Honeywell	ZM50G10B01	-	Argentati Silver	SPDT	3	125 ÷ 250 VAC	16 A	-	-25°C ÷ +80°C	1	2	790710 85600
INDUTTIVO INDUCTIVE	P+F	NBB2-V3-E2	-	-	PNP	3	10 ÷ 30 VDC	0 ÷ 100 mA	0 ÷ 1000 Hz	-25°C ÷ +70°C	2	2	790710 86000

**Schemi di cablaggio - Wiring diagrams**



**KIT VISUALIZZATORE  
VIEWER KIT**

**Standard**



**a richiesta  
on request**



