

790700_STANDARD AND ATEX EX-M SOLENOID VALVE_INOX



Series of spool valves, with static seals and high flow for mounting on NAMUR interface.
Function 3/2 can be achieved by applying the special plug supplied standard in the kit.
In according to: SIL 3 Capable according to IEC 61508:2010

MATERIALS:

Body: Stainless steel aisi 316L
Heads: Stainless steel aisi 316L
Spool: Hard anodized aluminium
Distancer: Ixef 1022
Seals: HNBR
Spring: Stainless steel
Driver: Stainless steel
Coil: Thermoset resin
Spacer: Nylon (only ATEX model)

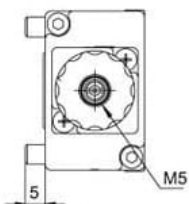
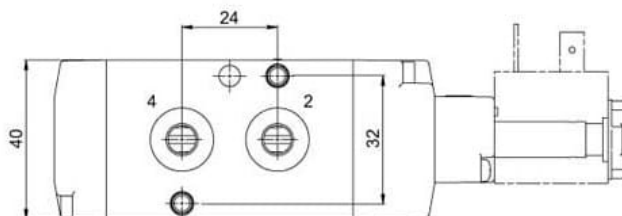
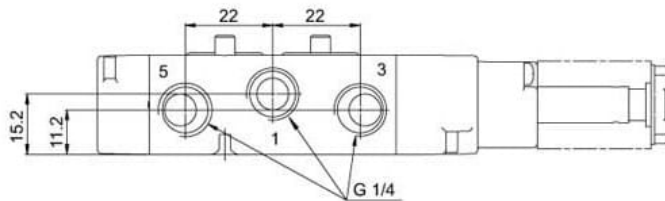
In ATEX version the protection is assured by a thermal fuse that, in case of damage, disconnects the coil from power. Solenoid system is conforming to ATEX 2014/34/EU.

CHARACTERISTICS:

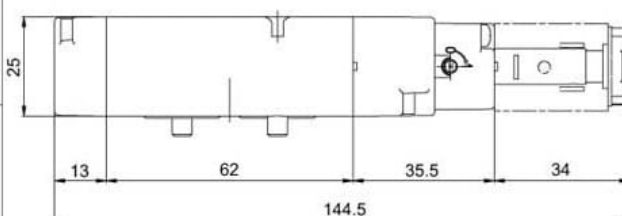
Fluid: Compressed filtered air.
Pressure range: 1 ÷ 10bar.
Temperature range:
standard -25°C ÷ +70°C
ATEX -25°C ÷ +50°C
Nominal Ø: 8 mm
Flow: 1.100 NI/min (6 bar ΔP 1 bar)
Degree of protection:
standard model IP65

4G GHIDINI S.r.l.
ATEX model IP66
Manual override: Bistable position
Air entry: 1/4 GAS
Solenoid valve coil connector PG9
ATEX solenoid valve coil connector PG11

Elettrovalvola MONOSTABILE NAMUR 3/2 - 5/2 solenoide/molla
MONOSTABLE VALVE NAMUR 3/2 - 5/2 SOLENOID/SPRING

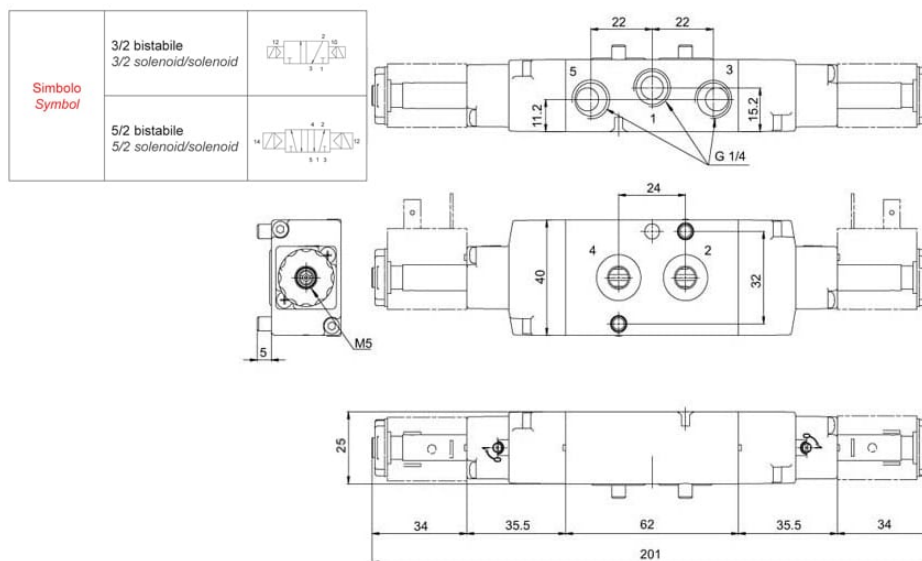


Simbolo Symbol	3/2 monostabile 3/2 solenoid/spring	
	5/2 monostabile 5/2 solenoid/spring	



VOLTAGGIO	CERTIFICAZIONE ATEX	Bobina con LED	CODICE ARTICOLO
3-5/2 24V-DC 48V-AC/50HZ	NO	SI / YES	790700 60530
3-5/2 24V-AC/50HZ	NO	SI / YES	790700 60550
3-5/2 110V-AC/50HZ	NO	SI / YES	790700 60570
3-5/2 220V-AC/50HZ	NO	SI / YES	790700 60580
3-5/2 24V-DC (0,125 A - 3 W)	II 2G Ex db mb IIC T5 Gb II 2D Ex tb IIIC T95°C Db IP66	NO	790700 62030
3-5/2 24V-AC/50HZ (0,133 A - 3,2 VA)	II 2G Ex db mb IIC T5 Gb II 2D Ex tb IIIC T95°C Db IP66	NO	790700 62050

Elettrovalvola BISTABILE NAMUR 3/2 - 5/2 solenoide/solenoide
BISTABLE VALVE NAMUR 3/2 – 5/2 SOLENOID/SPRING



VOLTAGGIO	CERTIFICAZIONE ATEX	Bobina con LED	CODICE ARTICOLO
3-5/2 24V-DC 48V-AC/50HZ	NO	SI / YES	790700 61030
3-5/2 24V-AC-50HZ	NO	SI / YES	790700 61050
3-5/2 110V-AC/50HZ	NO	SI / YES	790700 61070
3-5/2 220V-AC/50HZ	NO	SI / YES	790700 61080
3-5/2 24V-DC (0,125 A - 3 W)	II 2G Ex db mb IIC T5 Gb II 2D Ex tb IIIC T95°C Db IP66	NO	790700 62230
3-5/2 24V-AC/50HZ (0,133 A - 3,2 VA)	II 2G Ex db mb IIC T5 Gb II 2D Ex tb IIIC T95°C Db IP66	NO	790700 62250

