

790700_SOLENOID VALVE_ATEX EX-IA_INOX

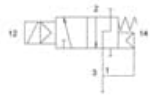
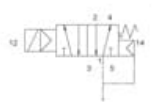
Series of spool valves, with static seals and high flow for mounting on NAMUR interface with low consumption solenoid operator, conforming to ATEX 2014/34/EU Directive, certified II 2G Ex ia IIC T6 Gb - Intrinsic safety Ex ia. Coil and connectors separately.
Function 3/2 can be achieved by applying the special plug supplied standard in the kit.
In according to: SIL 3 Capable according to IEC 61508:2010

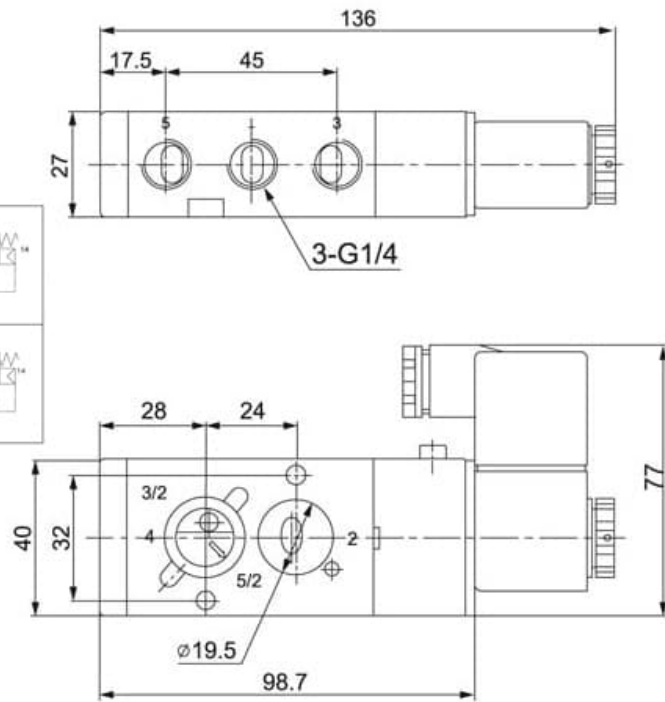
MATERIALS:

Body: Stainless steel aisi 316L
Heads: Stainless steel aisi 316L
Spool: Hard anodized aluminium
Distancer: Ixef 1022
Seals: HNBR
Spring: Stainless steel
Driver: Brass
Coil: Thermoset resin
Spacer: Nylon

CHARACTERISTICS:

Fluid: Compressed filtered air.
Pressure range: 2 ÷ 7 bar with coil 24V DC Ex ia
Temperature range: -10°C ÷ +50°C.
Nominal Ø: 8 mm.
Flow: 1.100 NI/min (6 bar ΔP 1 bar)
Manual override: Bistable position.
Air entry: 1/4" GAS
Electrical characteristics: 21,6 ÷ 28 VDC
Admissible max voltage: 32 VDC, 195 mA, 1,6 W

Simbolo <i>Symbol</i>	3/2 monostabile <i>3/2 solenoid/spring</i>	
	5/2 monostabile <i>5/2 solenoid/spring</i>	



VOLTAGGIO	CERTIFICAZIONE ATEX	Bobina con LED	CODICE ARTICOLO
3-5/2 24V-DC	II 2G Ex ia IIC T6 Gb II 2D Ex tb IIIC T80°C Db IP65	NO	790700 62430

