

790700_SOLENOID VALVE_ATEX EX-IA_ALUMINIUM



Series of spool valves, with static seals and high flow for mounting on NAMUR interface with low consumption solenoid operator, conforming to ATEX 2014/34/EU Directive, certified II 2G Ex ia IIC T6 Gb - Intrinsic safety Ex ia.

Coil and connectors separately.

Function 3/2 can be achieved by applying the special plug supplied standard in the kit.

In according to: SIL 3 Capable according to IEC 61508:2010

MATERIALS:

Body: Die-cast painted aluminium

Heads: Hostaform C 13031

Spool: Hard anodized aluminium

Distancer: Ixef 1022

Seals: HNBR

Coil: Thermoset resin

Spacer: Nylon

CHARACTERISTICS:

Fluid: Compressed filtered air.

Pressure range: 2 ÷ 7 bar with coil 24V DC Ex ia

Temperature range: -10°C ÷ +50°C.

Nominal Ø: 8 mm.

Flow: 1.100 NI/min (6 bar ΔP 1 bar)

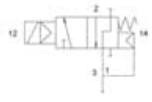
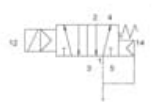
Manual override: Bistable position.

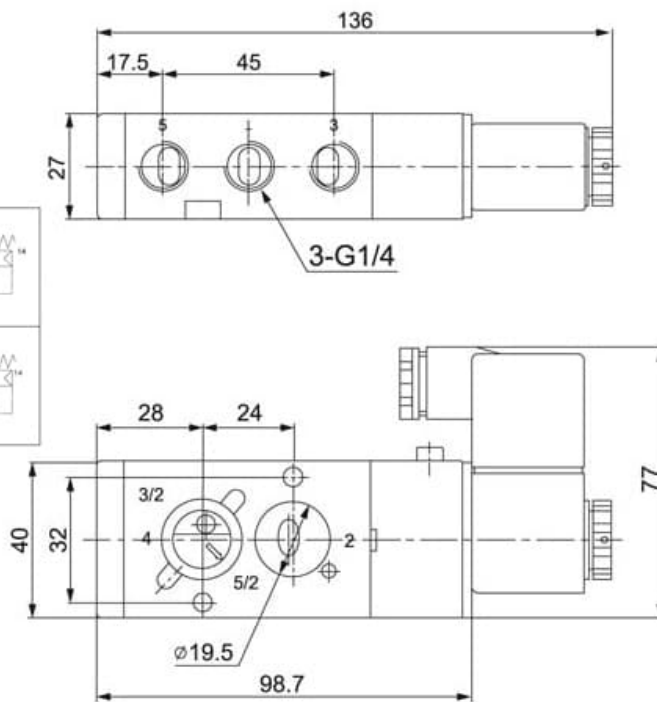
Air entry: 1/4" GAS

Electrical characteristics: 21,6 ÷ 28 VDC

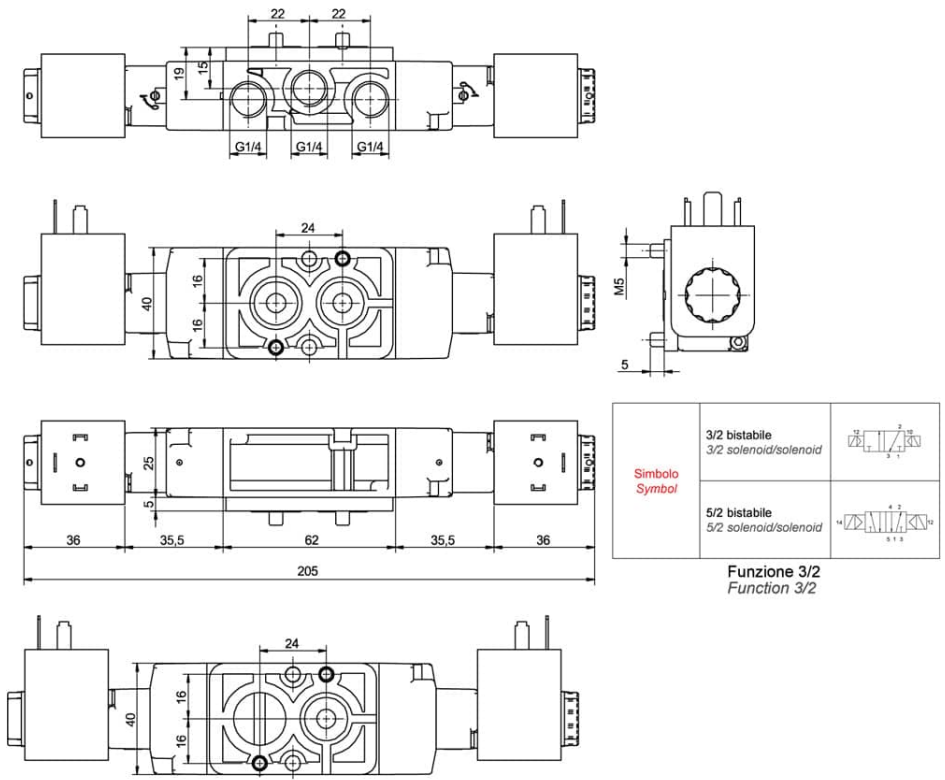
Admissible max voltage: 32 VDC, 195 mA, 1,6 W

ATEX solenoid valve coil connector PG11

<p>Simbolo Symbol</p>	<p>3/2 monostabile 3/2 solenoid/spring</p>	
	<p>5/2 monostabile 5/2 solenoid/spring</p>	



VOLTAGGIO	CERTIFICAZIONE ATEX	Bobina con LED	CODICE ARTICOLO
3-5/2 24V-DC	II 2G Ex ia IIC T6 Gb II 2D Ex tb IIIC T80°C Db IP65	NO	790700 82430



VOLTAGGIO	CERTIFICAZIONE ATEX	Bobina con LED	CODICE ARTICOLO
3-5/2 24V-DC	II 2G Ex ia IIC T6 Gb II 2D Ex tb IIIC T80°C Db IP65	NO	790700 82530

