

790700_STANDARD AND ATEX EX-M SOLENOID VALVE_ALUMINIUM



Series of spool valves, with static seals and high flow for mounting on NAMUR interface.
Coil and connectors separately.
Function 3/2 can be achieved by applying the special plug supplied standard in the kit.
In according to: SIL 3 Capable according to IEC 61508:2010

MATERIALS:

Body: Die-cast painted aluminium

Heads: Hostaform C 13031

Spool: Hard anodized aluminium

Distancer: Ixef 1022

Seals: HNBR

Coil: Thermoset resin

Spacer: Nylon (only ATEX model)

In ATEX version the protection is assured by a thermal fuse that, in case of damage, disconnects the coil from power. Solenoid system is conforming to ATEX 2014/34/EU.

CHARACTERISTICS:

Fluid: Compressed filtered air.

Pressure range: 1 ÷ 10bar.

Temperature range:

standard -10°C ÷ +50°C

ATEX -25°C ÷ +50°C

Nominal Ø: 8 mm

Flow: 1.100 Nl/min (6 bar ΔP 1 bar)

Degree of protection:
standard model IP65

ATEX model IP66

Manual override: Bistable position

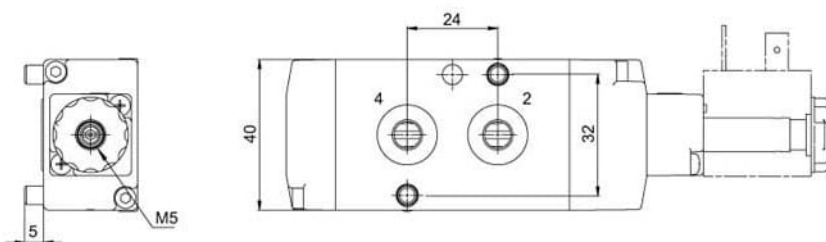
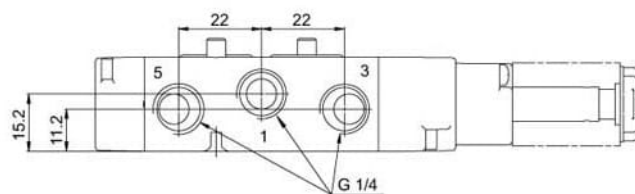
Air entry: 1/4 GAS

Response time at 6 bar:

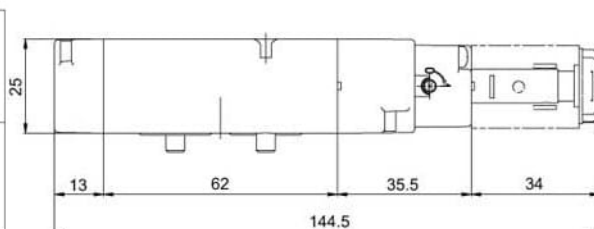
Monostable drive 45 ms, deactivation 19 ms

Bistable drive 21 ms, deactivation 21 ms

Elettrovalvola MONOSTABILE NAMUR 3/2 - 5/2 solenoide/molla
MONOSTABLE VALVE NAMUR 3/2 – 5/2 SOLENOID/SPRING

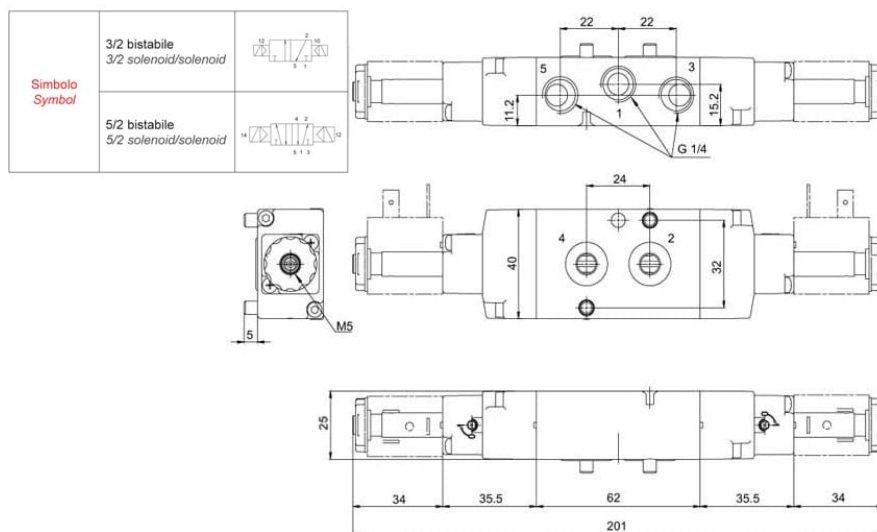


Simbolo Symbol	3/2 monostabile 3/2 solenoid/spring	
	5/2 monostabile 5/2 solenoid/spring	



VOLTAGGIO	CERTIFICAZIONE ATEX	Bobina con LED	CODICE ARTICOLO
3-5/2 24V-DC 48V-AC/50HZ	NO	SI / YES	790700 80530
3-5/2 24V-AC/50HZ	NO	SI / YES	790700 80550
3-5/2 110V-AC/50HZ	NO	SI / YES	790700 80570
3-5/2 220V-AC/50HZ	NO	SI / YES	790700 80580
3-5/2 24V-DC (0,125 A - 3 W)	II 2G Ex db mb IIC T5 Gb II 2D Ex tb IIIC T95°C Db IP66	NO	790700 82030
3-5/2 24V-AC/50HZ (0,133 A - 3,2 VA)	II 2G Ex db mb IIC T5 Gb II 2D Ex tb IIIC T95°C Db IP66	NO	790700 82050

Elettrovalvola BISTABILE NAMUR 3/2 - 5/2 solenoide/solenoide
BISTABLE VALVE NAMUR 3/2 – 5/2 SOLENOID/SPRING



VOLTAGGIO	CERTIFICAZIONE ATEX	Bobina con LED	CODICE ARTICOLO
3-5/2 24V-DC 48V-AC/50HZ	NO	SI / YES	790700 81030
3-5/2 24V-AC-50HZ	NO	SI / YES	790700 81050
3-5/2 110V-AC/50HZ	NO	SI / YES	790700 81070
3-5/2 220V-AC/50HZ	NO	SI / YES	790700 81080
3-5/2 24V-DC (0,125 A - 3 W)	II 2G Ex db mb IIC T5 Gb II 2D Ex tb IIIC T95°C Db IP66	NO	790700 82230
3-5/2 24V-AC/50HZ (0,133 A - 3,2 VA)	II 2G Ex db mb IIC T5 Gb II 2D Ex tb IIIC T95°C Db IP66	NO	790700 82250

