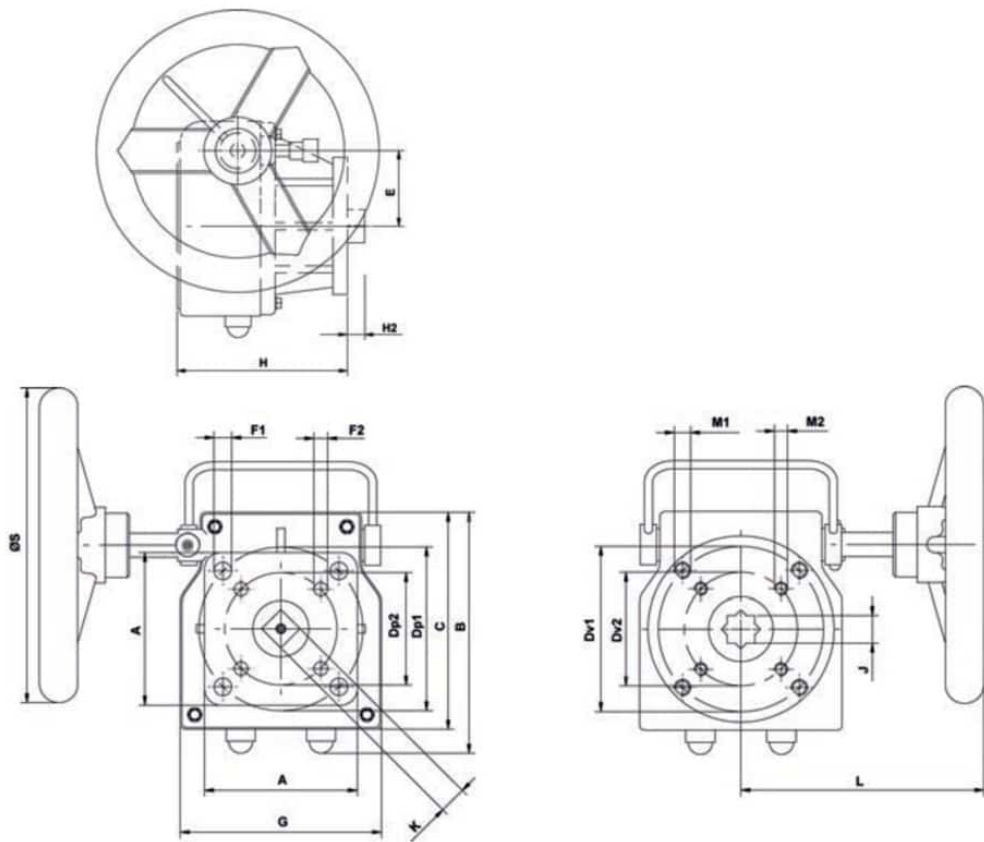


790652 DECLUTCHABLE HANDWHEEL GEARBOX

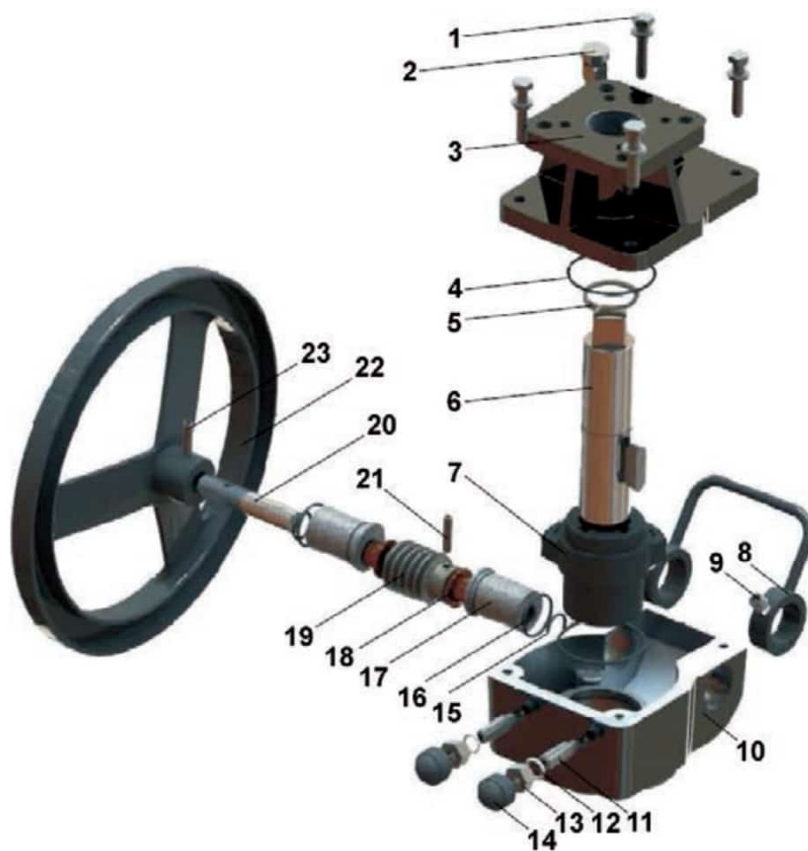


The GDB Series Handwheel Gearbox is especially designed for ball valves, butterfly valves and similar, together with double and simple effect pneumatic actuators. This device allows manual operation during installation and system testing even in case of air loss. It can be mounted directly on most of the popular rack & pinion style pneumatic actuators on the market, and it does not need a distancer installed between the pneumatic actuator.

Quadro lato attuatore / Actuator Square



Max momento torcente (Nm)	Gear Ratio	torque ratio (input/output)	Actuator square	Valve Square	ISO flange actuator side	ISO flange valve side	Ø S	A	B	C	E	G	H	H2	J x Deep	K	L	Dp1	F1	Dp2	F2	Dv1	M1	Dv2	M2	Kg	CODE
300	1:40	1:9.6	14	17	F05/F07	F05/F07	Ø 200	70	125	110	44.2	90	100	14	17x19	14	145	70	8.5	50	6.5	70	M8x12	50	M6x10	3	790652 81000
360	1:38	1:12.5	14	17	F10/F12	F10/F12	Ø 200	103	150	135	52.2	125	118	14	17x19	14	180	102	10.5	70	8.5	102	M10x15	70	M8x12	4.5	790652 81400
810	1:36	1:12.5	22	27	F10/F12	F10/F12	Ø 300	115	185	160	65	140	124	22	27x29	22	190	125	12.5	102	10.5	125	M12x18	102	M10x15	7	790652 81800
1.310	1:50	1:10	27	36	F10/F14	F10/F14	Ø 400	130	225	200	85	185	162	27	36x39	27	260	140	17	102	10.5	140	M16x24	102	M10x15	14	790652 82200
2.800	1:55	1:19	36	36	F16	F14	Ø 600	165	268	243	104.5	230	181	36	36x39	36	420	165	21	-	-	140	M16x24	-	-	27	790652 82600
5.500	1:62	1:19	46	Ø 60	F16/F25	F16/F25	Ø 700	295	330	283	130	295	205	46	Ø 60x70	46	430	254	17	165	21	254	M16x24	165	M20x30	41	790652 83000



N°	Descrizione	Quantità	MATERIAL
1	hexagonal screw	4	Stainless Steel
2	limiting assembly	1	Stainless Steel AISI 304
3	upper flange	1	Alluminio rivestito in poliestere
4	O-ring	2	NBR70
5	Seeger	2	Steel
6	connecting shaft	1	Carbon Steel 45#
7	Special Gear	1	Steel
8	clutch lever	1	Stainless Steel AISI 304
9	Adjusting Screw	1	Stainless Steel AISI 304
10	Body	1	Alluminio rivestito in poliestere
11	Adjusting Screw	2	Steel
12	Sealing Washer	2	galvanized Steel
13	Adjusting Screw	2	galvanized Steel
14	Protezione dado di regolazione	2	NBR70
15	O-ring	2	NBR70
16	O-ring	2	NBR70
17	eccentric shaft	2	Steel nickel plating 45#
18	Bearing	2	sintered bronze
19	Worm Gear	1	Carbon Steel 45#
20	shaft	1	Carbon Steel 45#
21	Pin	1	Spring Steel
22	Handwheel	1	carbon Steel polyester coated

23	Pin	1	Spring Steel
----	-----	---	--------------

