
790650 HANDWHEEL MANIPULATORS WITHOUT DECLUTCH_INOX



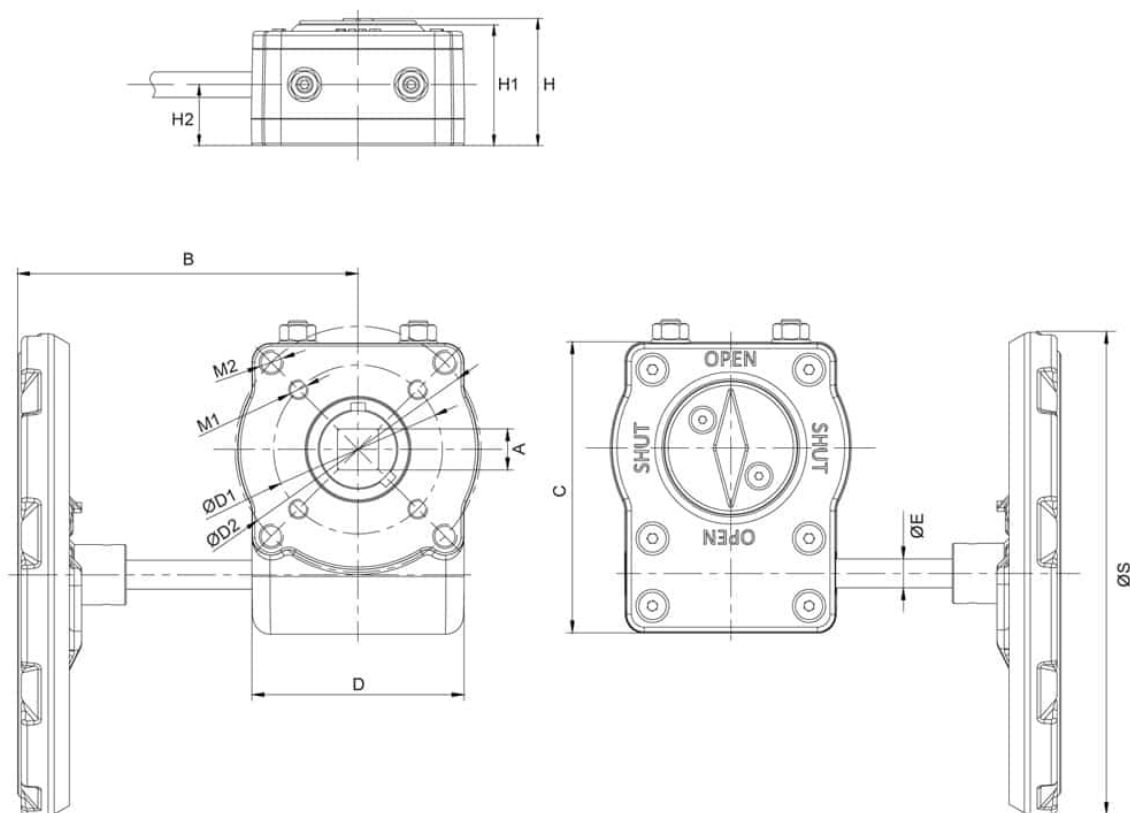
The GBXSS Series Handwheel Gearbox, one quarter turn drive device, is suitable for ball valves, butterfly valves and similar. The body is fully made of Stainless Steel AISI 304 (AISI 316 available on request), give to this component high corrosion & wear resistance, so it's suitable for environments where the highest hygiene level is requested.

Protection grade IP65

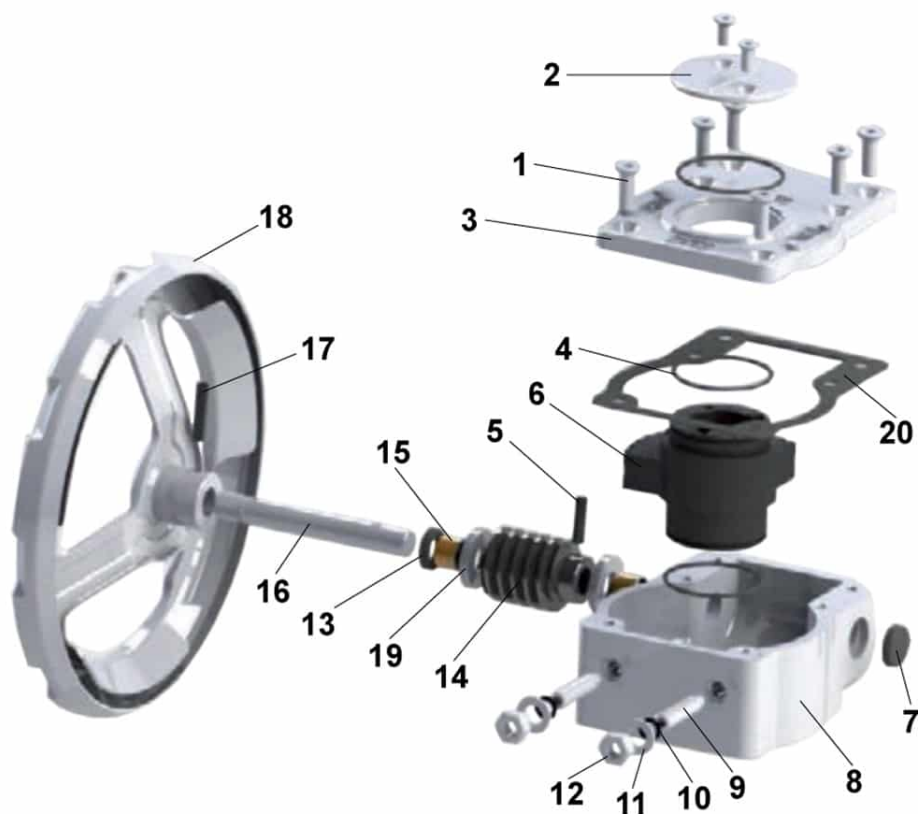
Connecting standard ISO 5211

Rotation $0^\circ \div 90^\circ \pm 5^\circ$

Temperature range $-20^\circ \div +80^\circ$



Max. momento torcente (Nm)	Gear Ratio	Valve Square	ISO flange	Ø S	A	B	C	D	Ø D1	Ø D2	Ø E	H	H1	H2	M1	M2	CODE
300	1:8	17	F07/F10	200	17	152	120	88	70	102	12	59,5	56,5	28,5	M8	M10	790650 41000
600	1:37	22	F07/F10	300	22	-	146	107	102	125	16	70,5	67	41	M10	M12	790650 41600



N°	Descrizione	Quantità	MATERIAL
1	SCREW	8	Stainless Steel AISI 304
2	Pointer	1	Stainless Steel AISI 304
3	Cover	1	Stainless Steel AISI 304
4	O-ring	3	NBR70
5	Pin	1	Spring Steel
6	Special Gear	1	Steel
7	Protection plug	1	NBR70
8	Body	1	Stainless Steel AISI 304
9	Adjusting Screw	2	Stainless Steel AISI 304
10	O-ring	2	NBR70
11	Sealing Washer	2	Stainless Steel AISI 304
12	Adjusting Screw	2	Stainless Steel AISI 304
13	Front Seal	1	NBR70
14	Worm Gear	1	Carbon Steel 45#
15	Bearing	2	Melt-polymer
16	shaft	1	Stainless Steel AISI 304
17	Pin	1	Spring Steel
18	Handwheel	1	Stainless Steel AISI 304
19	Sealing Washer	2	Stainless Steel AISI 304
20	Seal	1	NBR70

