

790050_DOUBLE EFFECT PNEUMATIC ACTUATOR_ALUMINIUM



COMPANY WITH
QUALITY SYSTEM
CERTIFIED BY DNV
= ISO 9001 =



DOUBLE EFFECT PNEUMATIC ACTUATOR IN ALUMINIUM NICKEL - 90°

- ENAW 6063 T6 extruded Aluminium Body, inside surface finish Ra=0,4-0,6 and treatment of Nickel plating.
- ENAB 46100 T6 die-casted Aluminium alloy Pistons, 15 micron Anodizing.
- ENAB 46100 T6 die-casted Aluminium alloy Covers Nickel plated.
- Carbon steel Shaft, 20 micron Nickel plated.
- Screws in Stainless Steel AISI 304 (A2).
- Seals in nitrile nubber NBR.
- LAT-LUB low friction sliding Bearings.
- High performances Syntetic Grease.

- Double lower drilling for valve fastening and centering according to ISO 5211-DIN 3337 standards.
- Double square lower female shaft key (starlike) according to ISO 5211-DIN 3337 standards to assembly on valves with square key on line (0°) and diagonal key (45°).
- Solenoid connections according to NAMUR VDIVDE-3845 standards.
- Top drilling for accessories fastening, and upper shaft end according to NAMUR VDIVDE-3845 standards.
- 3D position indicator.
- Aluminium adhesive nameplates with progressive serial number punched.
- Lubrication guaranteed for min. 1.000.000 operations.
- Running test and 100% seal test carried out with electronic equipment and certification of each individual product.
- According to ATEX 2014/34/UE Standard for explosive environment; STANDARD version actuator: II 2GD c Tmax = 95°C.



- According to EN 15714-3 design and manufacture standard requirements.
 - EN 60529\A1 – Protection degree of casings IP 67.
-

USE:

AIR SUPPLY: dry or lubricated filtered compressed air.

TEMPERATURE RANGE: -20°+80°C

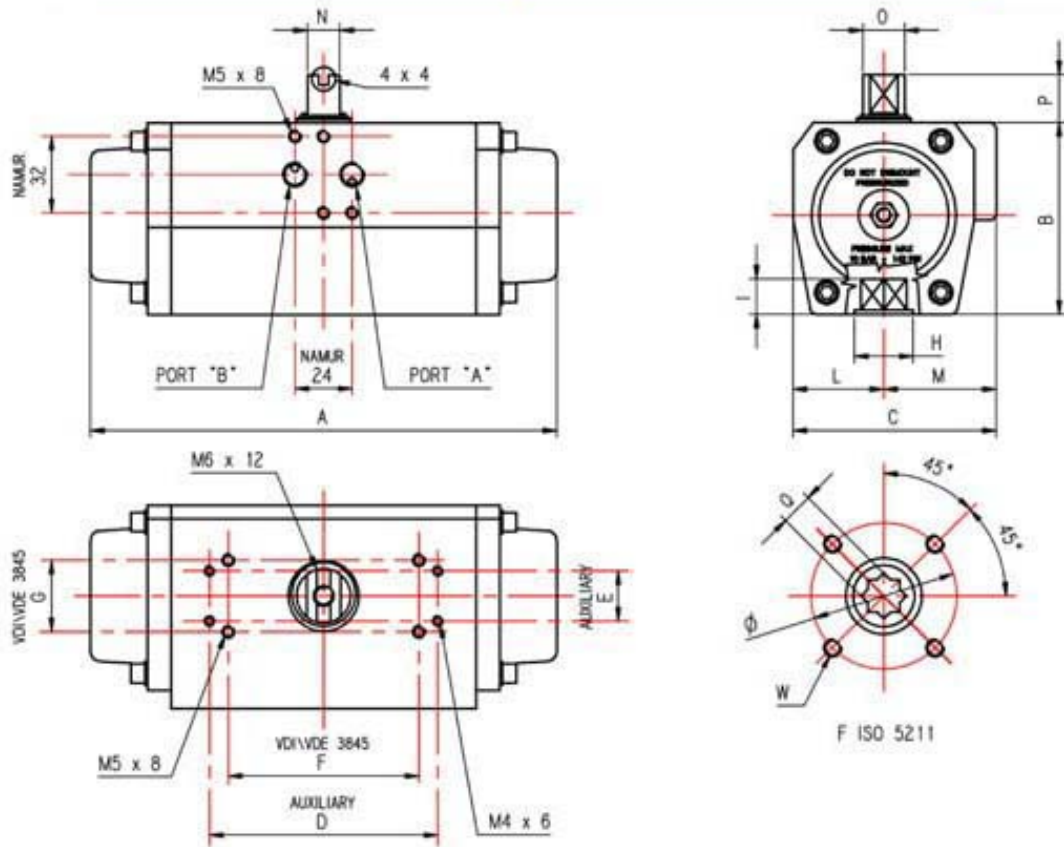
FEEDING PRESSURE: 8 bar/120 psi continuous – 10 bar/142 psi maximum.

TURNING ROTATION RANGE: +/- 5°.

STANDARD ROTATION: counterclockwise.

DIMENSIONI – Misure Europee in millimetri

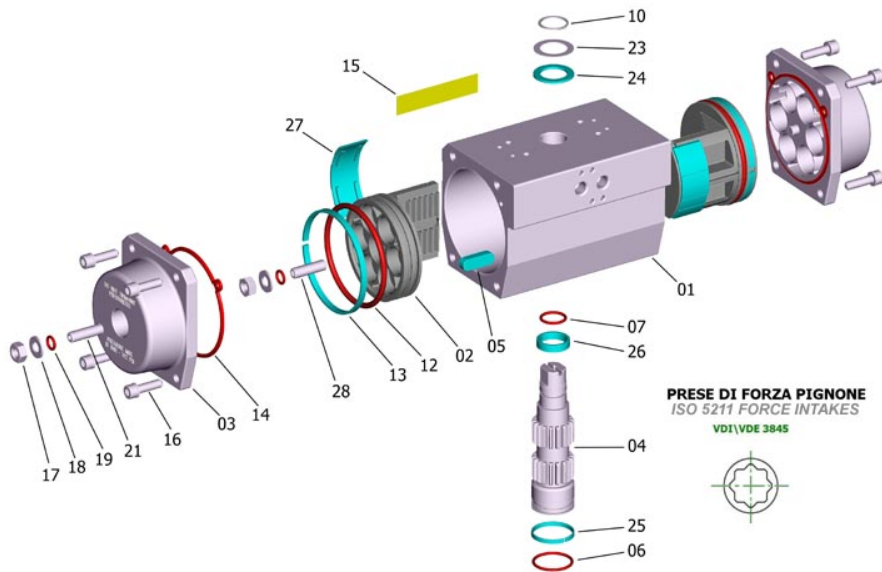
DIMENSIONS - European sizes in millimetres



POSIZIONE POSITION	F ISO 5211					
	F03	F03/05	F05	F05/07	F07/10	F10/12
ϕ (W)	36 (M5x8)	36 (M5x8) 50 (M6x9)	50 (M6x9)	50 (M6x9) 70 (M8x12)	70 (M8x12) 102 (M10x15)	102 (M10x15) 125 (M12x18)
H	25 escluso AP 032	25	35	35 (AP085=40)	55	AP145 = 70 AP160 = 75 AP180 = 85

Position	AP 032	AP 042	AP 050	AP 063	AP 075	AP 085	AP 100	AP 115	AP 125	AP 145	AP 160	AP 180
A-90°	100	139	139	152	205	230	275	309	360	392	462	482
B	45	57	68	83,5	100	110	125	142	155	175	196	220
C	49	60,5	75	86	94	104	120	134	141	163	176	196
D x E	-	-	-	-	105 x 22	105 x 22	105 x 22	139 x 22	139 x 22	139 x 22	139 x 22	139 x 22
F x G	50 x 25	80 x 30	80 x 30	80 x 30	80 x 30	80 x 30	80 x 30	130 x 30	130 x 30	130 x 30	130 x 30	130 x 30
L	23,5	27	33,5	38	42,5	49	55	63,5	69,5	80	88	98
M	25,5	33,5	41,5	48	51,5	55	65	70,5	71,5	83	88	98
Port.A-Port.B DIN259	1/8" GAS	1/8" GAS	1/8" GAS	1/4" GAS	1/4" GAS	1/4" GAS	1/4" GAS	1/4" GAS	1/4" GAS	1/4" GAS	1/4" GAS	1/4" GAS
N x O	8 x 12	8 x 12	8 x 12	8 x 12	14 x 18	14 x 18	14 x 18	27 x 36	27 x 36	27 x 36	27 x 36	32 x 42
P	20	20	20	20	20	20	20	30	30	30	50	50
Q x I	9 x 10	9 x 10 11 x 13	9 x 10 11 x 13	9 x 10 11 x 13 14 x 16	11 x 13 14 x 16 17 x 20	14 x 16 17 x 20 22 x 25	14 x 16 17 x 20 22 x 25	17 x 20 22 x 25 27 x 30	20 22 x 25 27 x 30	22 x 25 27 x 30	22 x 25 27 x 30	27 x 30 36 x 39
F.ISO 5211	F03	F04	F04	F05	F05 / 07	F05 / 07	F07 / 10	F07 / 10	F07 / 10	F10 / 12	F10 / 12	F10 / 12

ACTUATOR TORQUE IN Nm



POS.	Denomination	PCS	MAT.
1	Body	1	ENAW 6063 T6
2	Piston	2	ENAB 46100 T6
3	Cover	2	ENAB 46100 T6
4	Pinion	1	ASTM A105
5 *	Anti-ejection key	2	Resina Acetalica - Acetalic resin
6 *	Pinion lower O-Ring	1	NBR
7 *	Pinion lower O-Ring	1	NBR
10 *	Seeger	1	Acciaio per molle - Spring steel
12 *	Piston O-Ring	2	NBR
13 *	Piston anti-friction ring	2	Resina Acetalica - Acetalic resin
14 *	Cover Seal	2	NBR
15	Identification plate	1	Alluminio - Aluminium
16	Cover fixing screw	8	AISI 304 (A2)
17	Nut	4	AISI 304 (A2)
18	Washer	4	AISI 304 (A2)
19 *	O-ring	4	NBR
21	Cover screw	2	AISI 304 (A2)
23 *	Pinion thrust washer	1	AISI 304 (A2)
24 *	Anti-friction washer	1	Resina Acetalica - Acetalic resin
25 *	Inferior pinion guide ring	1	Resina Acetalica - Acetalic resin
26 *	Superior pinion guide ring	1	Resina Acetalica - Acetalic resin
27 *	Piston anti-friction pad	2	Resina Acetalica - Acetalic resin
28	Piston screw	2	AISI 304 (A2)
*	Spares kit		

