

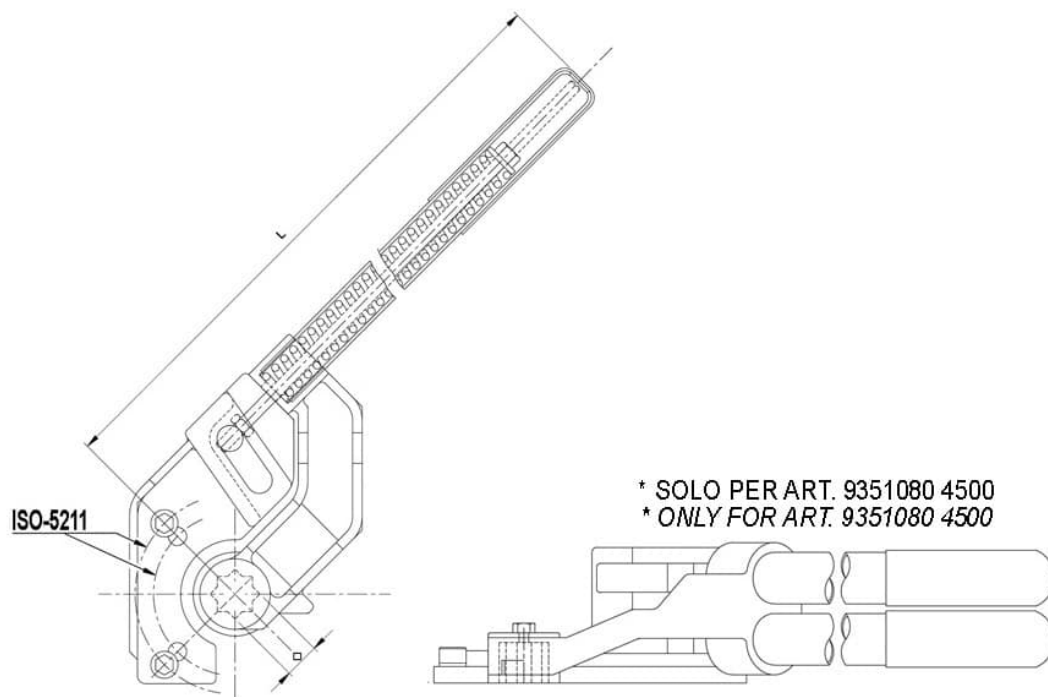
9351080 LEVER WITH SPRING RETURN ISO 5211



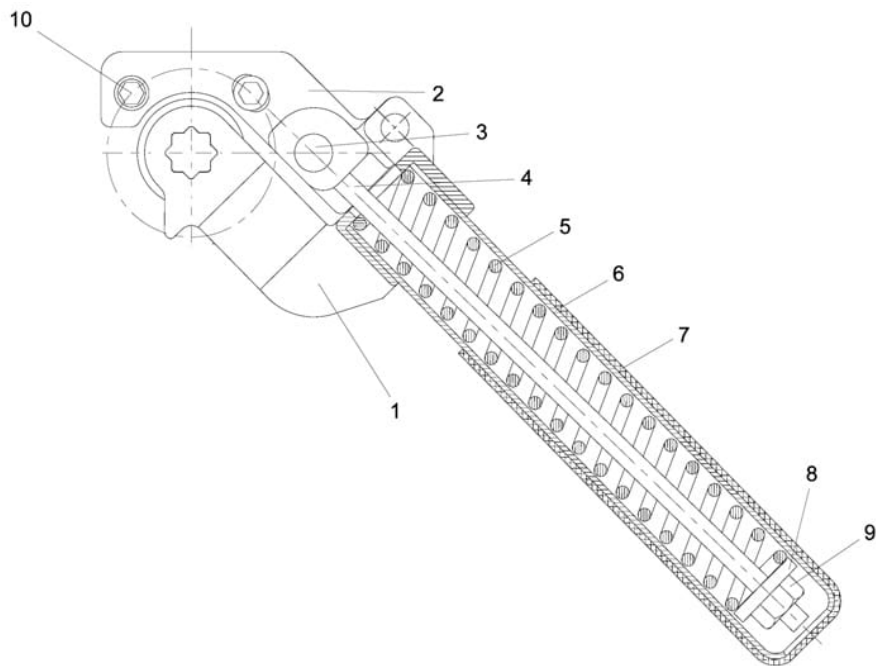
LEVER with SPRING RETURN for actuator ISO 5211 valves

Lever material: Aisi 304L (1.4307)

Handle material: PVC



ISO-5211	□	L	Nm	Kg	CODE
F03-F04	9	170	15	0,365	9351080 4200
F04-F05	11	220	22	0,465	9351080 4300
F05-F07	14	280	35	0,675	9351080 4400
F10-F12	22	500	100	4,440	9351080 4500



POS.	Denomination	PCS	MAT.
1	Testa della leva / Handle head	1	AISI 304 (1.4301)
2	Staffa / Bracket	1	AISI 316 (1.4401)
3	Vite / Screw	1	AISI 304 (1.4301)
4	Asta della molla / Spring rod	1	AISI 304 (1.4301)
5	Molla / Spring	1	AISI 301 (1.4310)
6	Prolunga della leva / Handle extension	1	AISI 304 (1.4301)
7	Copertura leva / Cover lever	1	PVC
8	Rondella / Washer	1	AISI 304 (1.4301)
9	Dado esagonale / Hex nut	1	AISI 304 (1.4301)
10	Vite a brugola / Socket head screw	2	AISI 304 (1.4301)

