

9351032 RAISED LEVER KIT FOR VALVES WITH FLANGE FOR ACTUATOR



RAISED LEVER FOR VALVES WITH FLANGE FOR ACTUATOR

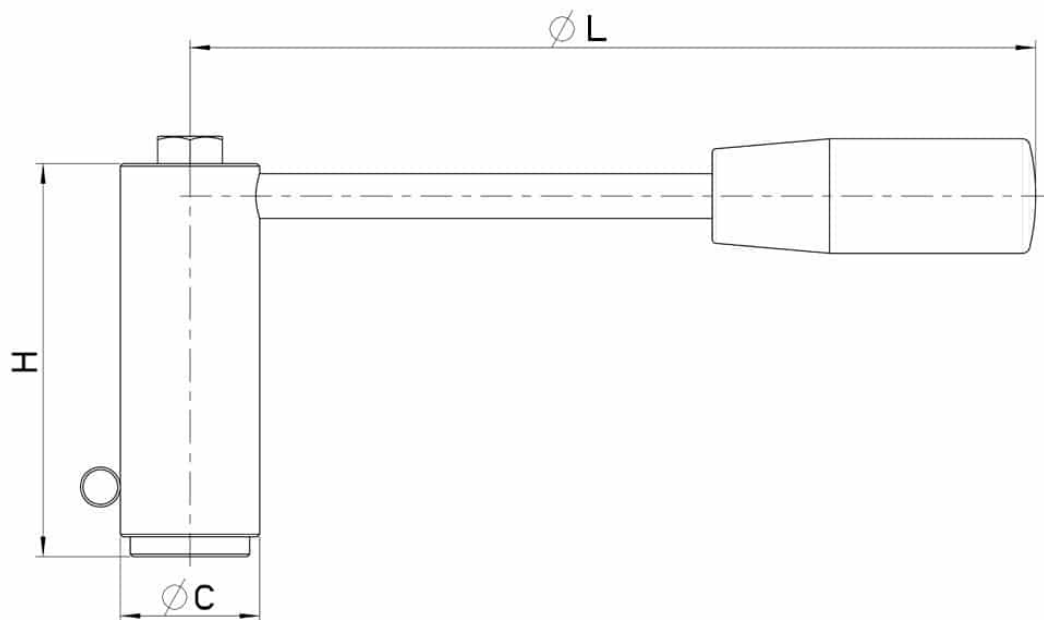
Lever material: Aisi 304L (1.4307)

Handle material: DUROPLAST (PF)

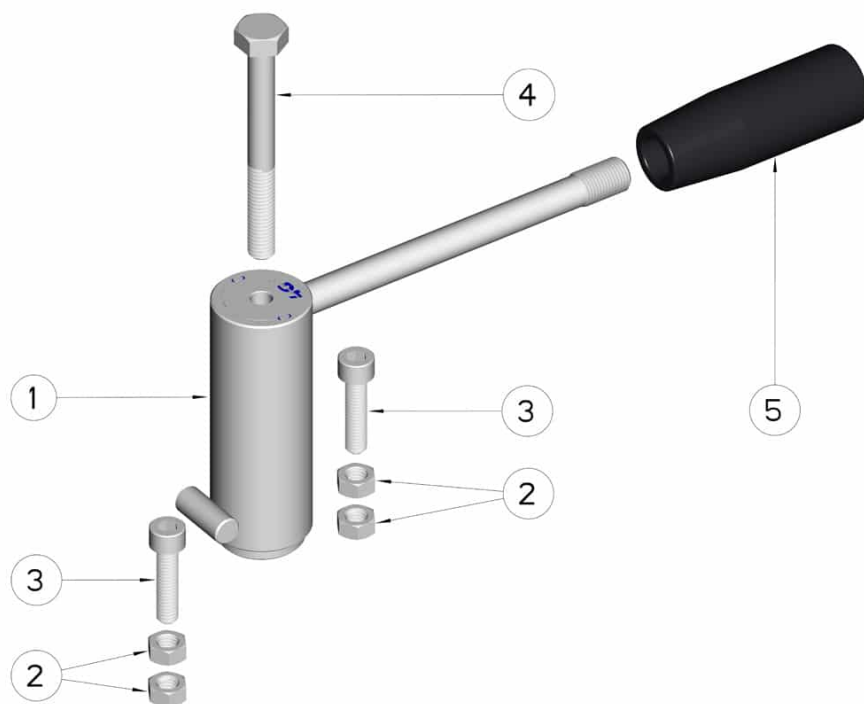
On request:

INOX knob

Height "H" modifiable



DN VALVOLA A 2 VIE	DN VALVOLA A 3 VIE	ISO 5211 x □	L	H	Ø C	Kg	CODICE AISI 304
10 - 15 - 20	10 - 15	F03-6	110	75	24	0,29	9351032 4220
10 - 15 - 20	10 - 15	F04-6	110	75	24	0,29	9351032 4230
10 - 15 - 20	10	F03-9	110	79	24	0,29	9351032 4240
10 - 15 - 20	10	F04-9	110	79	24	0,295	9351032 4250
25 - 32	20 - 25	F04-9	160	79	28	0,41	9351032 4260
25 - 32	20 - 25	F05-9	160	79	28	0,42	9351032 4270
15 - 20 - 25	15 - 20 - 25	F04-11	160	79	28	0,41	9351032 4280
15 - 20 - 25	15 - 20 - 25	F05-11	160	80	28	0,425	9351032 4290
40 - 50	32 - 40	F05-14	190	80	35	0,64	9351032 4380
40 - 50	32 - 40	F07-14	190	80	35	0,65	9351032 4390
65	50	F07-17	220	80	40	0,86	9351032 4480
65	50	F10-17	220	80	40	0,98	9351032 4490
80	65	F07-17	285	80	40	0,93	9351032 4500
80	65	F10-17	285	80	40	1,2	9351032 4510
100	80 - 100	F07-17	310	88	45	1,5	9351032 4540
100	80 - 100	F10-17	310	88	45	1,6	9351032 4550



POS.	Denomination	PCS	MAT.
1	Lever	1	AISI 304L
2	Nut	4	AISI 304L
3	SCREW	2	AISI 304L
4	SCREW	1	AISI 304L
5	Handle	1	DUROPLAST (PF)

