

9351031 RAISED LEVER KIT FOR MANUAL VALVES



RAISED LEVER FOR MANUAL VALVES

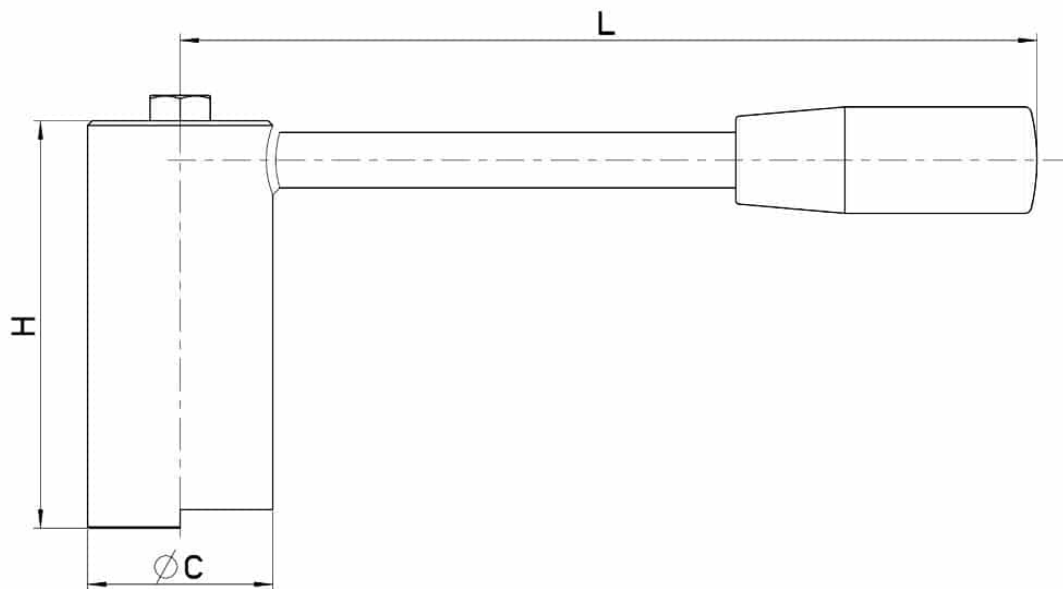
Lever material: Aisi 304L (1.4307)

Handle material: DUROPLAST (PF)

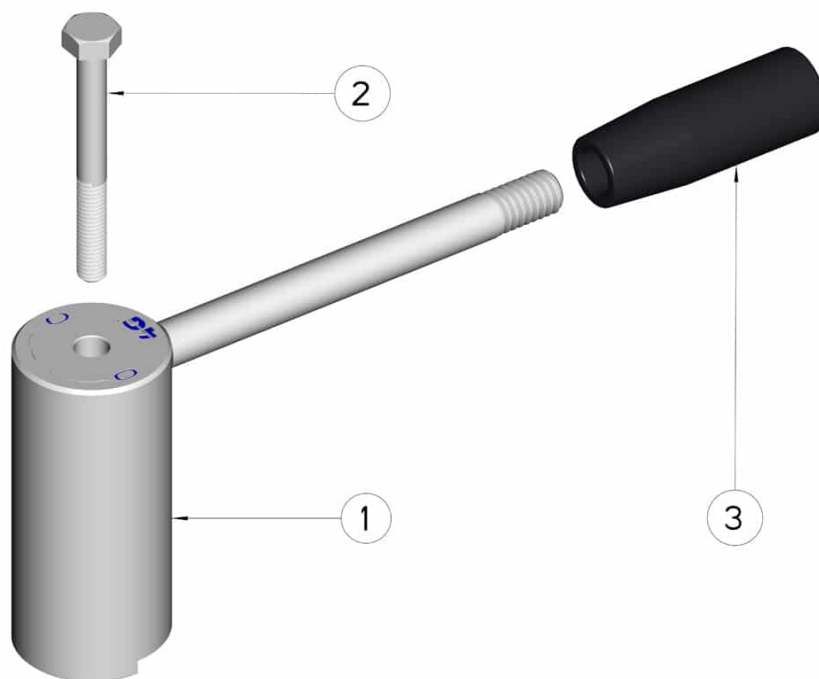
On request:

INOX knob

Height "H" modifiable



DN VALVOLA A 2 VIE	DN VALVOLA A 3 VIE	L	H	Ø C	Kg	CODICE AISI 304
10 - 15 - 20	10 - 15	110	79	24	0,29	9351031 4220
25 - 32	20 - 25	160	83	28	0,42	9351031 4260
40 - 50	32 - 40	190	88	40	0,84	9351031 4400
65	50	220	88	45	1,08	9351031 4490
80	65	285	88	45	1,15	9351031 4510
100	80 - 100	310	93	50	1,7	9351031 4550



POS.	Denomination	PCS	MAT.
1	Lever	1	AISI 304L
2	SCREW	1	AISI 304L
3	Handle	1	DUROPLAST (PF)

