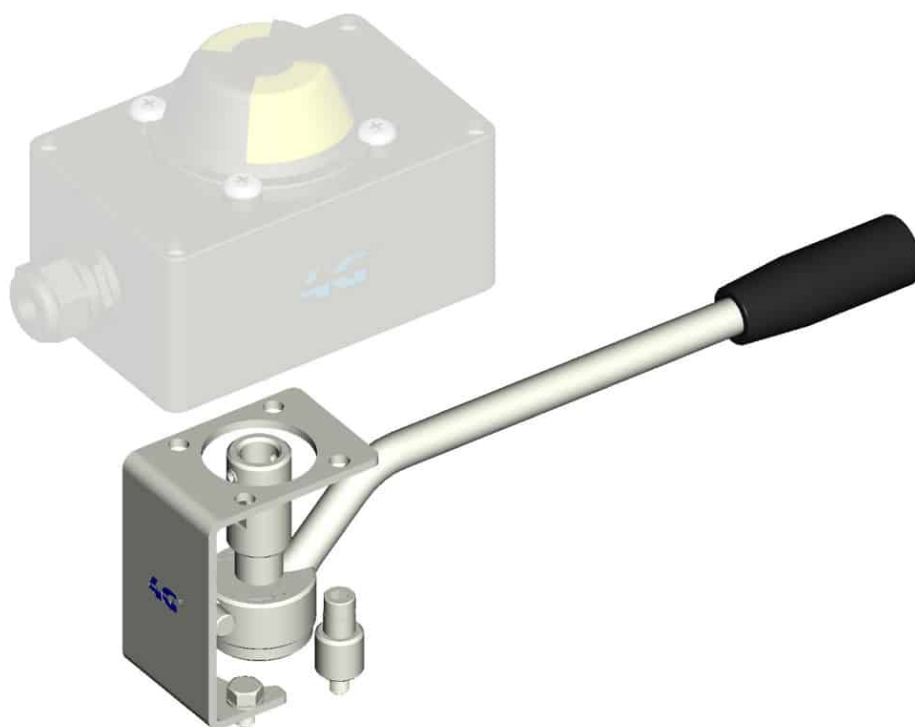
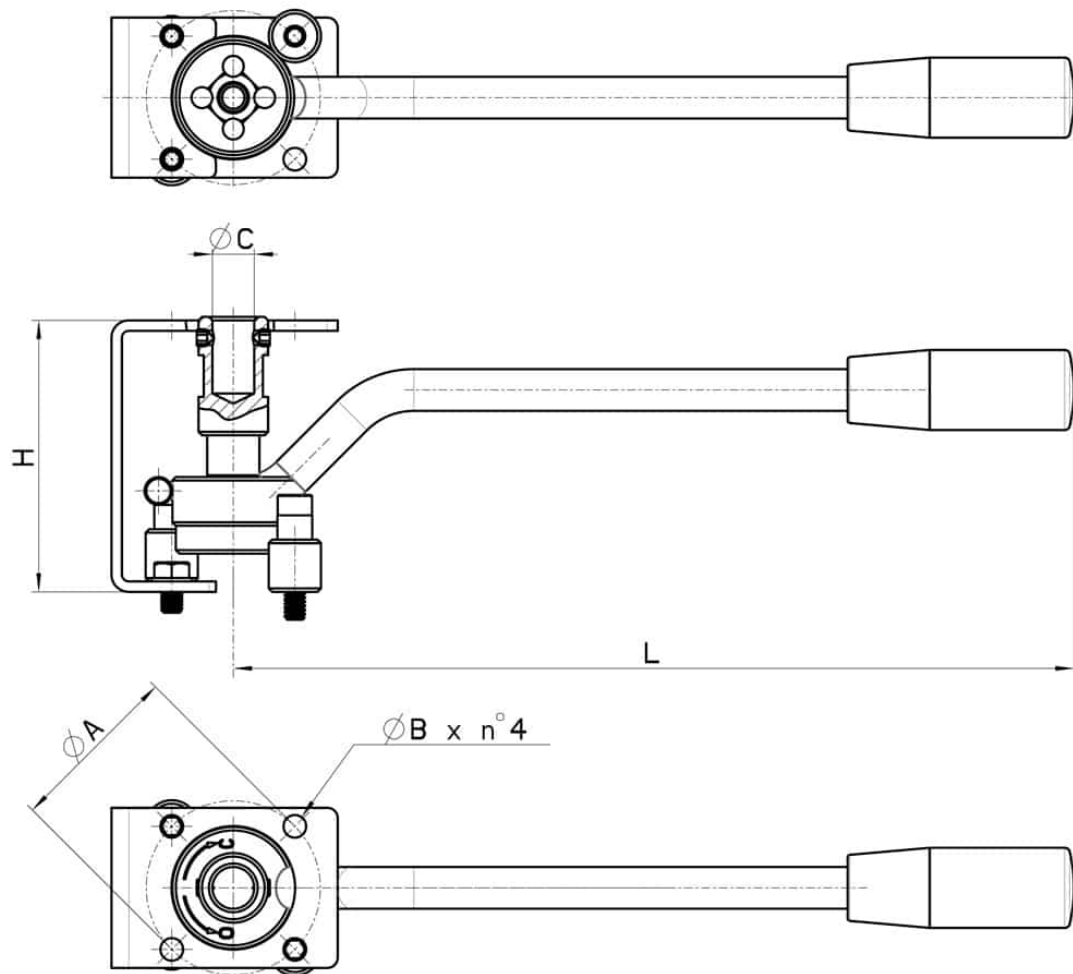


747744_KIT FOR STANDARD BOX ASSEMBLING WITH LEVER FOR WAFER VALVES

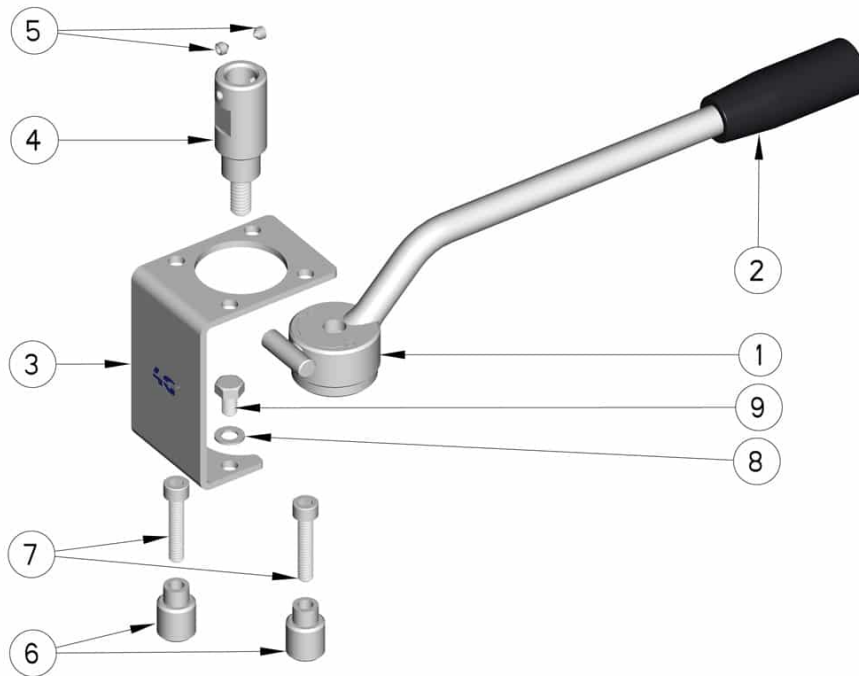


KIT for BOX assembling completed with lever for Wafer Valves
Material: Aisi 304 (1.4307)

Compatible with Standard Box model.
Not compatible with I-Box model.



DN	ISO 5211 - DIN 3337	L	H	Ø A	Ø B	Ø C	Kg	CODE
15	F03	125	78	50	6,5	12	-	747744 41400
20 - 25	F04	170	78	50	6,5	12	0,42	747744 42000
32 - 40 - 50	F05	240	78	50	6,5	12	0,64	747744 43400
65	F07	260	78	50	6,5	12	0,84	747744 44400
80	F07	300	78	50	6,5	12	-	747744 44800
100	F10	330	78	50	6,5	12	-	747744 45400



POS.	Denomination	PCS	MAT.
1	Curved lever with stop	1	AISI 304L
2	Handle	1	DUROPLAST (PF)
3	Squadretta Porta Box	1	AISI 304L
4	Extension	1	AISI 303L
5	Allen screw	2	AISI 304L
6	Fermo leva	2	AISI 303L
7	Allen screw	2	AISI 304L
8	Washer	1	AISI 304L
9	Vite testa esagonale	1	AISI 304L

