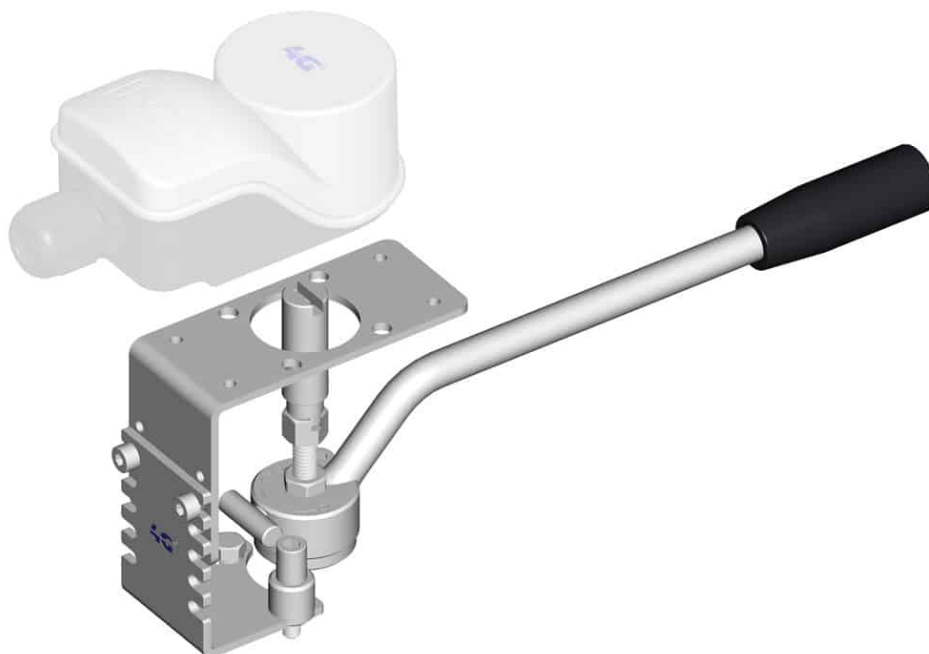


747741_KIT FOR I-BOX ASSEMBLING WITH LEVER FOR WAFER VALVES

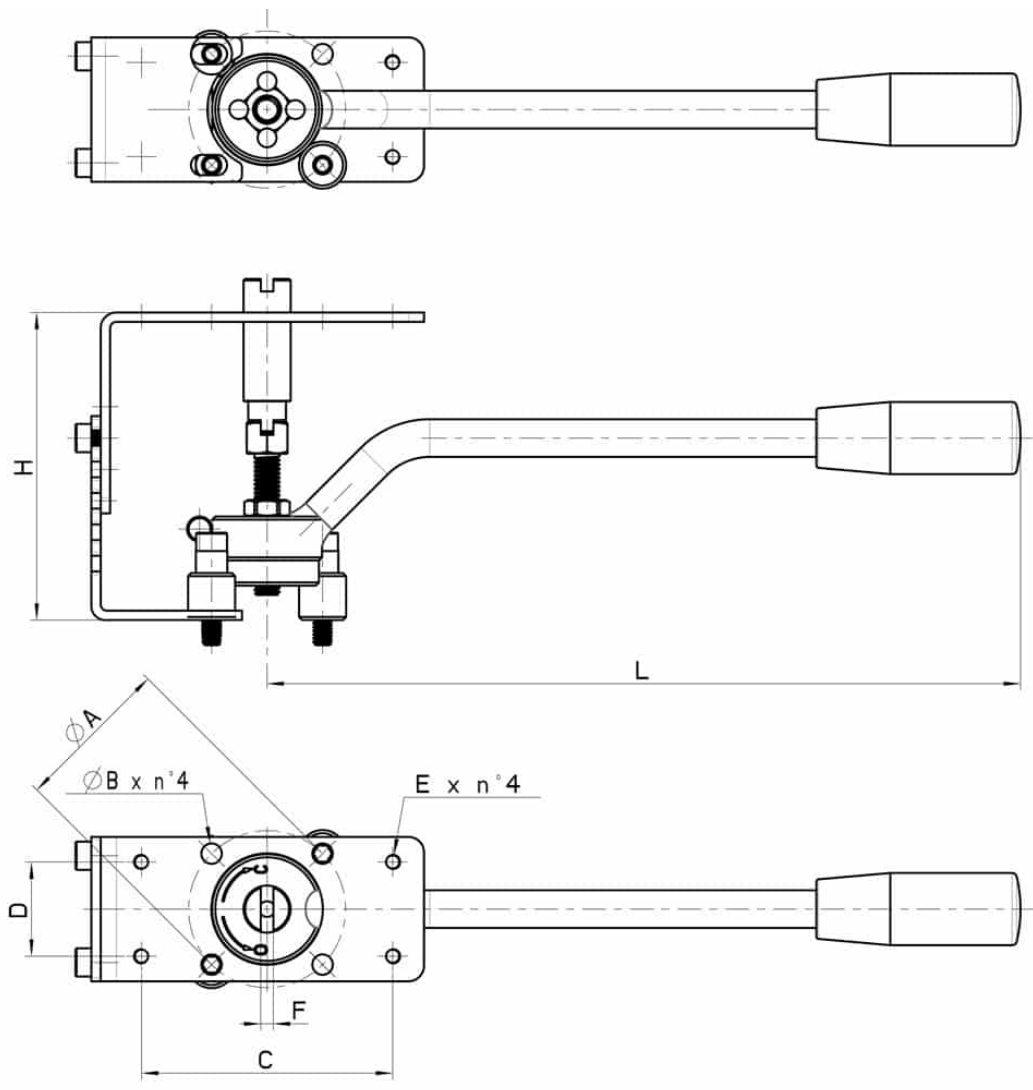


KIT for BOX assembling completed with lever for Wafer Valves

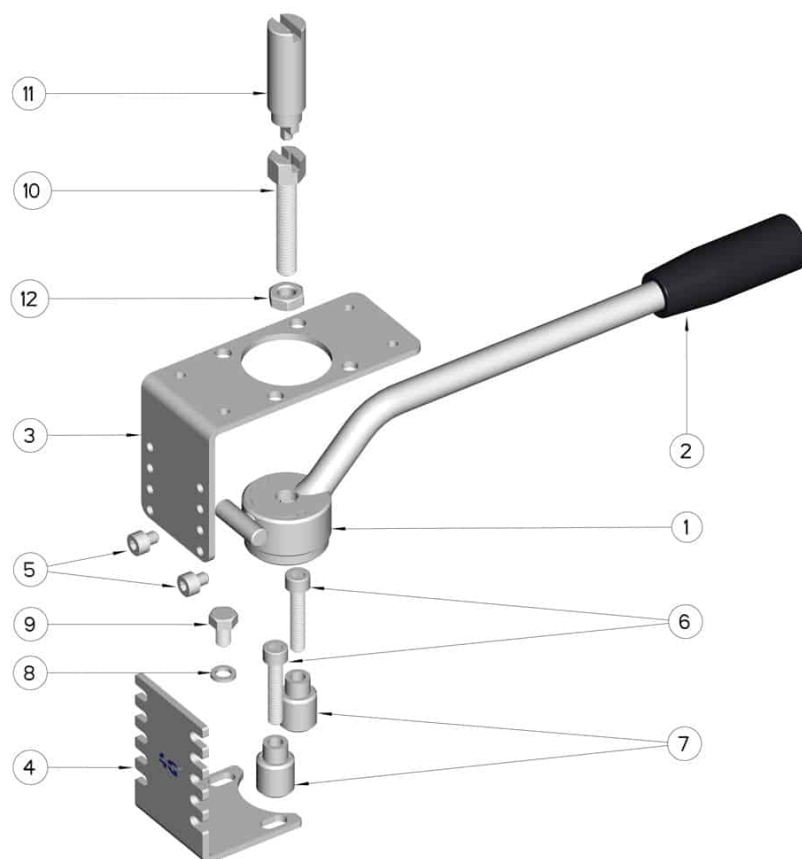
Material: Aisi 304 (1.4307)

Compatible with I-Box model.

Not compatible with Box Standard model.



DN	ISO 5211 - DIN 3337	L	H min. / max	Ø A	Ø B	C	D	E	F	Kg	CODE
15	F03	125	68 / 118	50	6,5	80	30	M.5	4	-	747741 41400
20 - 25	F04	170	68 / 118	50	6,5	80	30	M.5	4	0,42	747741 42000
32 - 40 - 50	F05	240	68 / 118	50	6,5	80	30	M.5	4	0,40	747741 43400
65	F07	260	68 / 118	50	6,5	80	30	M.5	4	0,68	747741 44400
80	F07	300	68 / 118	50	6,5	80	30	M.5	4	-	747741 44800
100	F10	330	68 / 118	50	6,5	80	30	M.5	4	0,40	747741 45400



POS.	Denomination	PCS	MAT.
1	Curved lever with stop	1	AISI 304L
2	Handle	1	DUROPLAST (PF)
3	Upper L-bracket Box Holder	1	AISI 304L
4	Basic bracket	1	AISI 304L
5	Allen screw	2	AISI 304L
6	Allen screw	2	AISI 304L
7	Bushes	2	AISI 304L
8	Washer	1	AISI 304L
9	SCREW	1	AISI 304L
10	SCREW	1	AISI 304L
11	Extension	1	AISI 304L
12	Nut	1	AISI 304L

