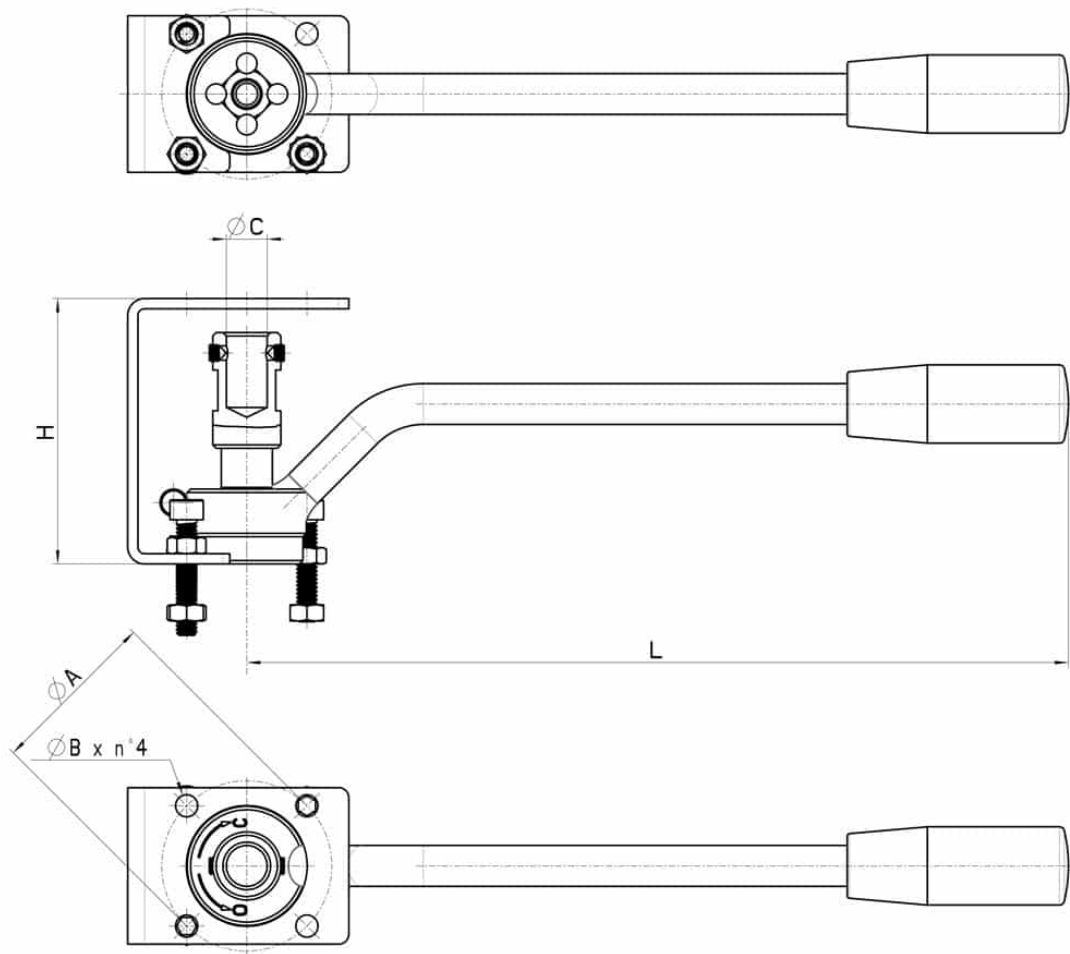


## 747714\_KIT FOR STANDARD BOX ASSEMBLING WITH LEVER FOR ISO 5211 VALVES

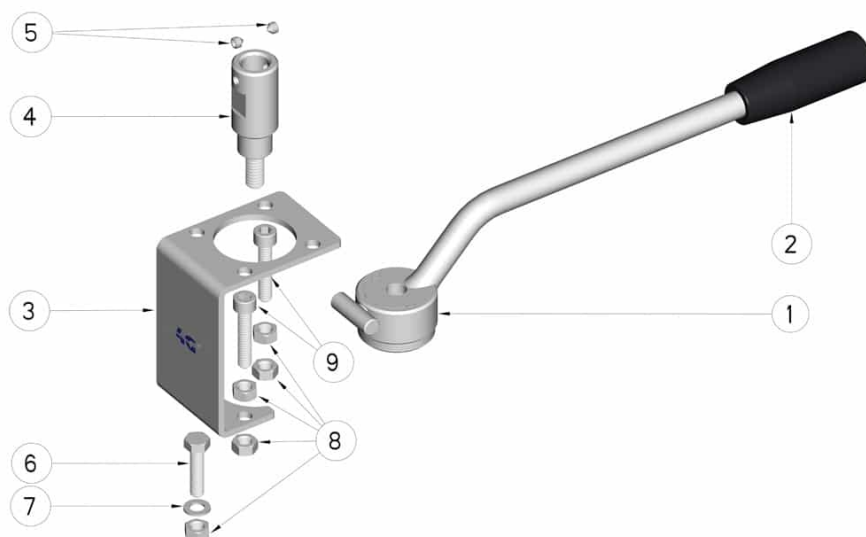


KIT for BOX assembling completed with lever for Valves for actuator ISO 5211  
Material: Aisi 304 (1.4307)

Compatible with Standard Box model.  
Not compatible with I-Box model.



DN VALVOLA A 2 VIE	DN 2 VIE FAM.27 e FAM.28	DN VALVOLA A 3 VIE	ISO 5211 - DIN 3337 - □	L	H	ØA	ØB	ØC	Kg	CODE
10 - 15 - 20		10 - 15	F03 - 6	130	78	50	6,5	12	-	747714 41400
10 - 15 - 20		10 - 15	F04 - 6	130	78	50	6,5	12	-	747714 41500
/	10 - 15	/	F03 - 9	130	78	50	6,5	12	-	747714 42000
/	10 - 15	/	F04 - 9	130	78	50	6,5	12	-	747714 42100
25 - 32		20 - 25	F04 - 9	180	78	50	6,5	12	0,38	747714 42600
25 - 32		20 - 25	F05 - 9	180	78	50	6,5	12	0,41	747714 42700
/	20 - 25	/	F04 - 11	180	78	50	6,5	12	-	747714 43000
/	20 - 25	/	F05 - 11	180	78	50	6,5	12	0,46	747714 43100
40 - 50		32 - 40	F05 - 14	240	78	50	6,5	12	0,60	747714 43800
40 - 50		32 - 40	F07 - 14	240	78	50	6,5	12	-	747714 43900
65		50	F07 - 17	270	78	50	6,5	12	0,84	747714 44400
65		50	F10 - 17	270	78	50	6,5	12	-	747714 44500
80		65	F07 - 17	300	78	50	6,5	12	-	747714 44800
80		65	F10 - 17	300	78	50	6,5	12	-	747714 44900
100		80 - 100	F07 - 17	325	78	50	6,5	12	1,10	747714 45400
100		80 - 100	F10 - 17	325	78	50	6,5	12	1,35	747714 45500



POS.	Denomination	PCS	MAT.
1	Curved lever with stop	1	AISI 304L
2	Handle	1	DUROPLAST (PF)
3	Squadretta Porta Box	1	AISI 304L
4	Extension	1	AISI 304L
5	Without head screw	2	AISI 304L
6	Vite testa esagonale	1	AISI 304L
7	Washer	1	AISI 304L
8	Nut	5	AISI 304L
9	Allen screw	2	AISI 304L

