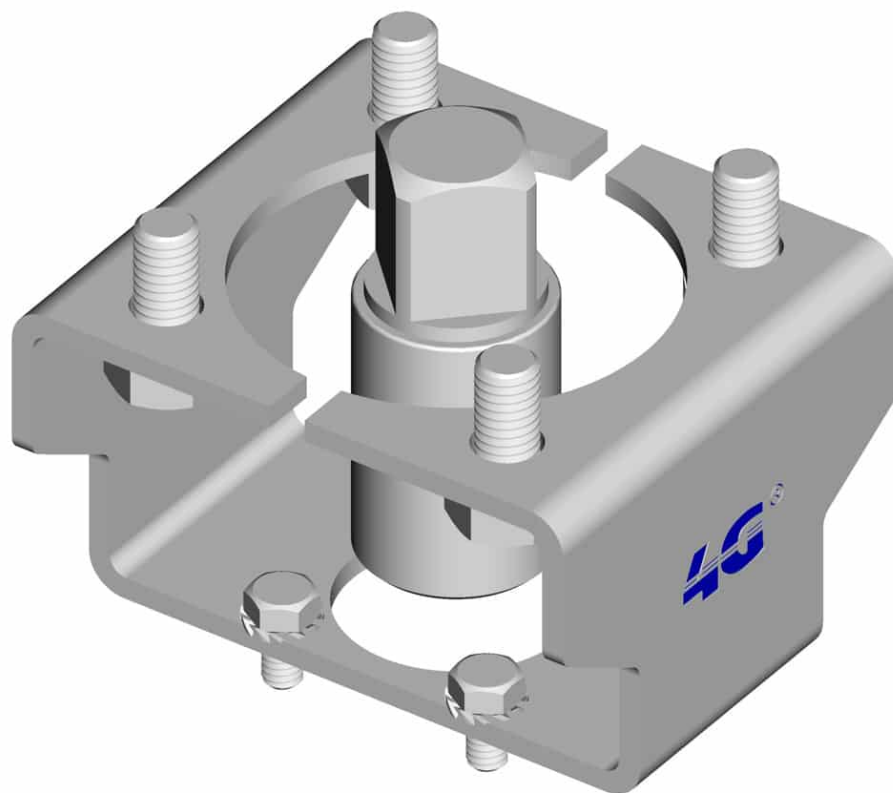
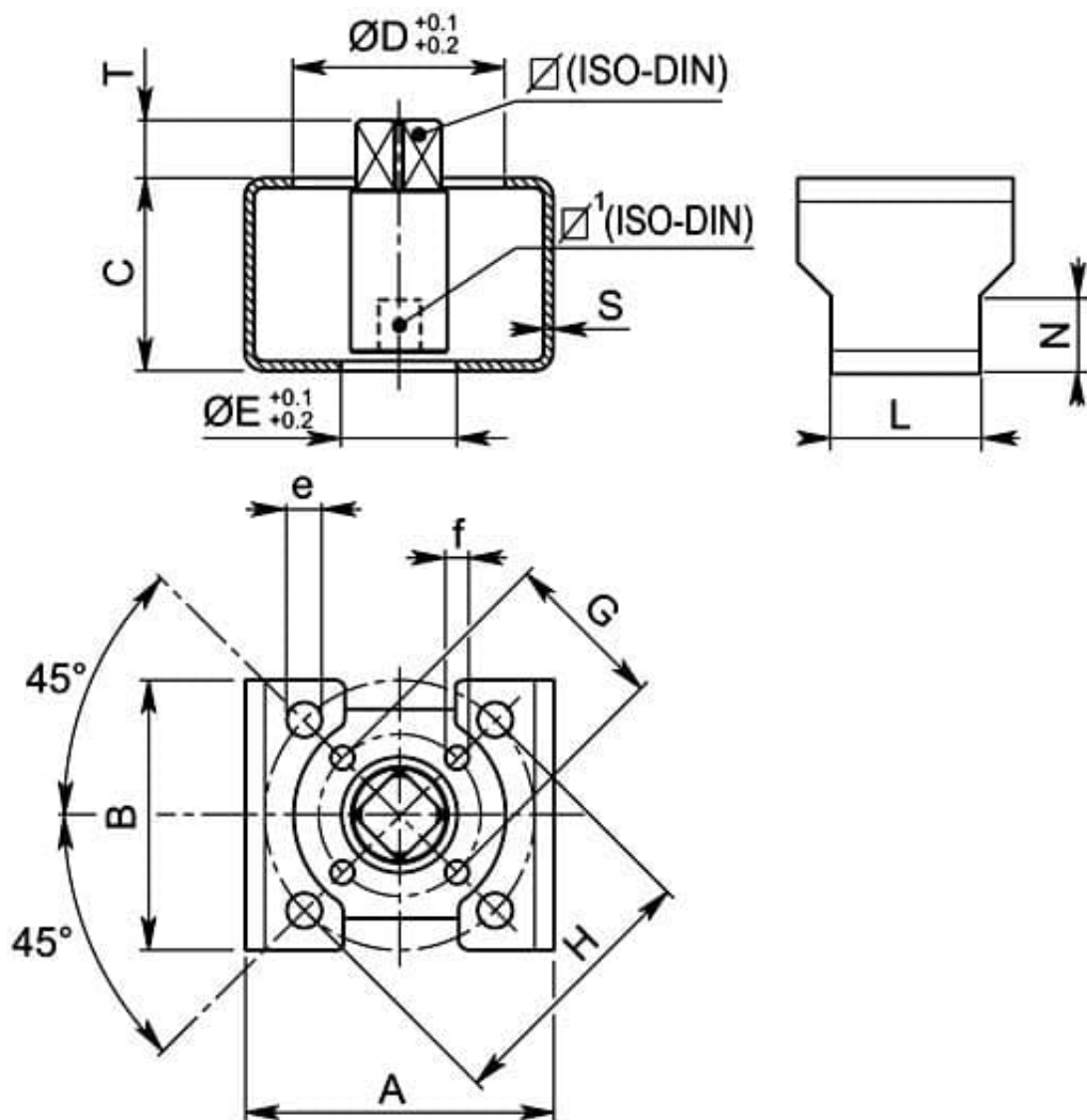


747560 ASSEMBLY KIT FOR ACTUATOR ISO 5211



Kit for **VALPRES** PN 16-40 WAFER ball valves
Assembly kit for actuator ISO 5211 including:
Brackets Aisi 304
Extension Aisi 303
Bolts Aisi 304

The couplings shown below are indicative, to be checked with the VALPRES flat body valve model used.



ISO 5211	□	□ 1	A	B	C	L	N	Ø D	Ø E	H	G	e	f	S	T	DN Valvola	Kg.	CODICE AISI 304
F.05-F.03	11	7	61	55	50	35	15	35	25	50	36	7	6	3	13	15-20	-	747560 41800
F.05-F.04	11	8	61	55	50	38	20	35	30	50	42	7	6	3	12,5	25-32	0,333	747560 42200
F.05-F.04	14	8	61	55	50	38	20	35	30	50	42	7	6	3	12,5	25-32	0,360	747560 42500
F.05-F.05	14	10	61	55	50	46	20	35	35	50	50	7	7	3	15	40-50	0,420	747560 43000
F.07-F.05	17	10	80	70	50	45	20	55	35	70	50	9	7	3	17	40-50	0,480	747560 44000
F.07-F.07*	14	14	80	70	50	-	-	55	55	70	70	9	9	2,5	17	65-80	0,580	747560 44300
F.07-F.07*	17	14	80	70	50	-	-	55	55	70	70	9	9	2,5	17	65-80	0,580	747560 44500
F.10-F.07	22	14	110	100	70	89	20	70	55	102	70	11	9	3	21	65-80	1,190	747560 45500
F.10-F.10*	17	18	110	100	70	-	-	70	70	102	102	11	11	3	22	100-125	1,160	747560 45800
F.10-F.10*	22	18	110	100	70	-	-	70	70	102	102	11	11	3	22	100-125	1,340	747560 46000
F.10-F.12*	22	30	130	115	70	-	-	70	85	102	125	11	13	3	26	150	2,200	747560 46100
F.12-F.10*	27	30	130	115	70	-	-	85	70	125	102	13	11	3	26	150	2,200	747560 46200

