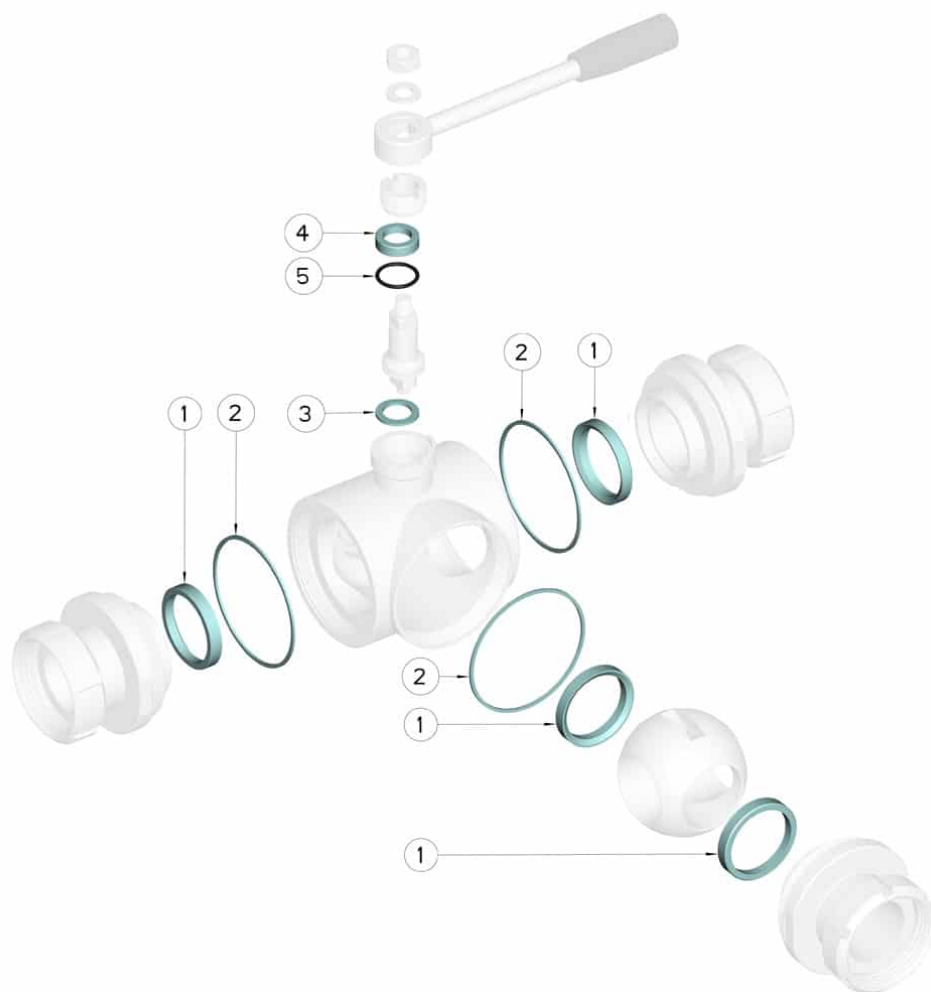


808030 SPARE SEALS KIT FOR BALL VALVE - STANDARD SEALS



Spare seals kit for ball valve

Fitting the following articles:

Art. 30 - 31

| DN | CODICE PTFE | Kg |
|-------|--------------|-------|
| 10-12 | 808030 00910 | 0,015 |
| 15 | 808030 01410 | 0,018 |
| 20 | 808030 02010 | 0,024 |
| 25 | 808030 02610 | 0,039 |
| 32 | 808030 03010 | 0,059 |
| 40 | 808030 03410 | 0,077 |
| 50 | 808030 03810 | 0,088 |
| 65 | 808030 04410 | 0,129 |
| 80 | 808030 04810 | 0,169 |
| 100 | 808030 05410 | 0,292 |
| 125 | 808030 05810 | 0,480 |

| POS. | DENOMINATION | PCS | MAT. |
|------|--------------------|-----|------|
| 1 | Ball Seals | 4 | PTFE |
| 2 | Sleeve Seal | 3 | PTFE |
| 3 | Inferior stem Seal | 1 | PTFE |
| 4 | Upper stem Seal | 1 | PTFE |
| 5 | Stem or-Seal | 1 | FKM |

