

## 373060\_L\_3 SEALS STANDARD SEALS - VICTAULIC



THREE-way ball valve three seals with "L" port  
Drive: ISO 5211 - DIN 3337 flange for actuator  
Connection: VICTAULIC  
Flow: Full  
Material: Aisi 304L (1.4307) - Aisi 316L (1.4404)  
Measure: from DN65 to DN100  
Seals: Modified Virgin P.T.F.E.  
Operating temperature: -20°C+170°C  
Outer finish: Sandblasted

On request:

Antistatic device ATEX:

II 2G Ex h IIC T4 Gb

II 2D Ex h IIIC T135°C Db

M.O.C.A. CE 1935/2004

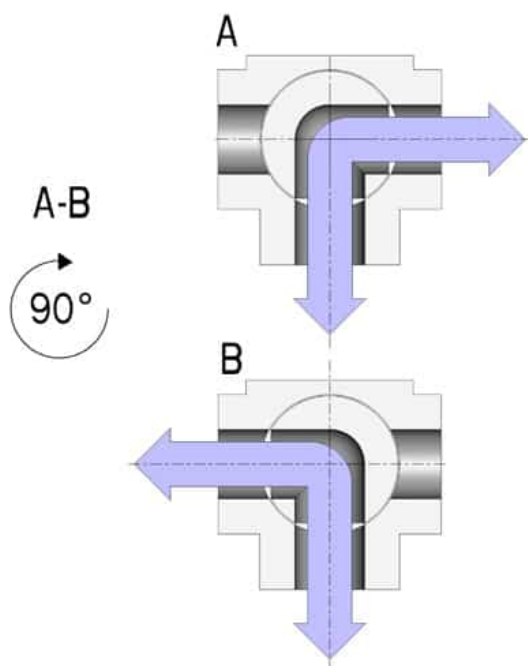
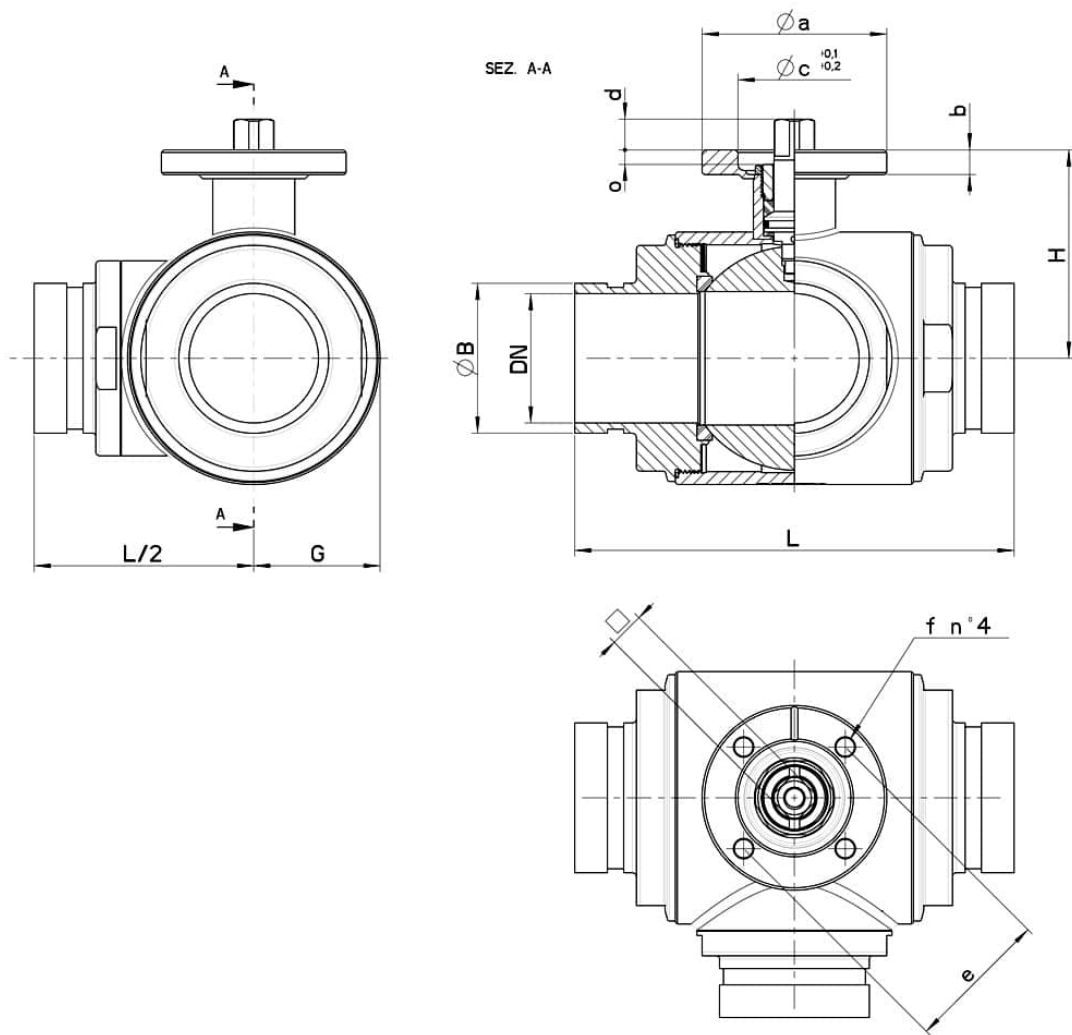
• Seals made of:

PTFE with glass -20°C+170°C

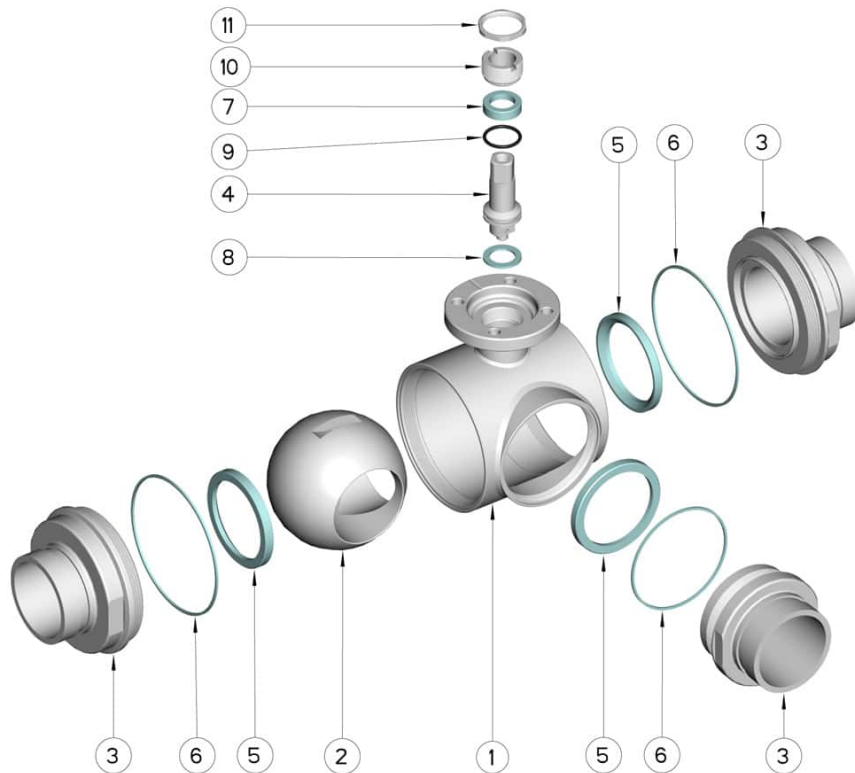
PTFE with carbographite -20°C+180°C

PTFE with inox -20°C+200°C

UHMW High-molecular weight polyethylene -20°C+80°C



VICTAULIC	DN	L	G	ØB	H	PN	Kg	ISO-DIN	Ø a	b	Ø c x o	□	d	e	f	Bolts	Nm	CODE AISI 316L
2"1/2 x 73	65	160	80	73	101,5	16	-	F.07	90	12	55x4	17	15	70	9	M8x20	60	313060 64410
3" x 88,9	80	200	100	88,9	116	16	-	F.10	125	12	70x4	22	18	102	11	M10x25	110	313060 6481F
4" x 114,3	100	240	120	114,3	131	10	-	F.10	125	12	70x4	22	18	102	11	M10x25	130	313060 6541F



POS.	Denomination	PCS	MAT.
1	Body	1	AISI 304L - 316L
2	Ball	1	AISI 304L - 316L
3	Sleeves	3	AISI 304L - 316L
4	Stem	1	AISI 304L - 316L
5	Ball Seals	3	PTFE
6	Sleeve Seals	3	PTFE
7	Stem Seal	1	PTFE
8	Stem Seal	1	PTFE
9	Stem or-Seal	1	FKM
10	Register ring	1	AISI 304L (303)
11	Locknut	1	AISI 303

